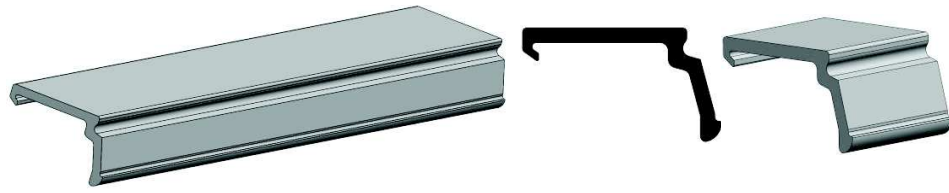
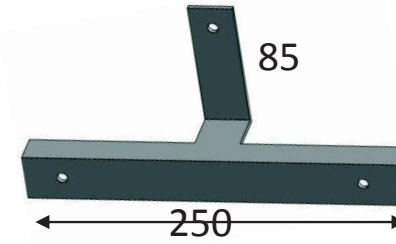


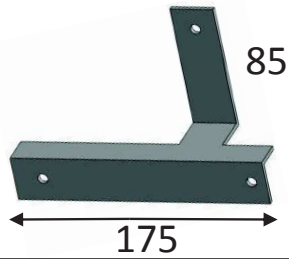
4



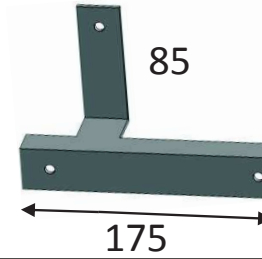
AL10013



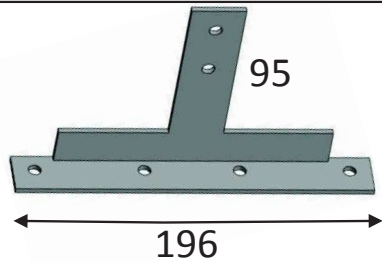
AL10009



AL10009A



AL10009B

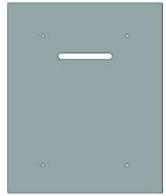


AL10010



UL-01 L + R

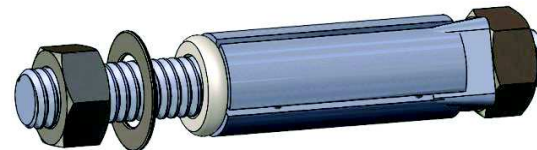
5



UL-02



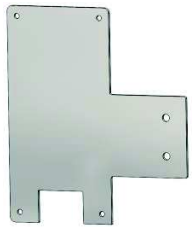
\* excl.



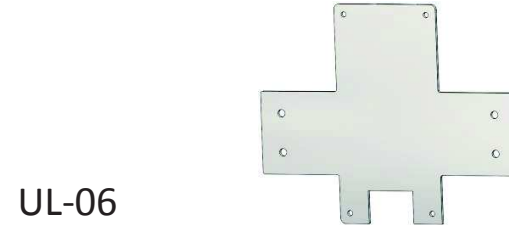
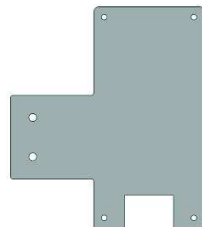
\* excl.

M14 x 100

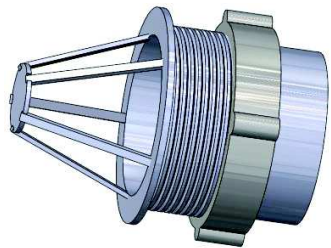
6



UL-04



UL-06



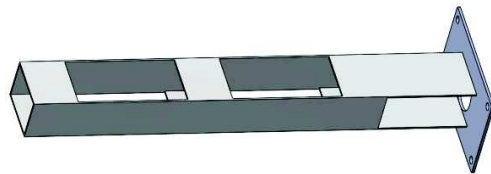
83 mm



0300 BI 6,3 x 25



0303 BI 5,5 x 25



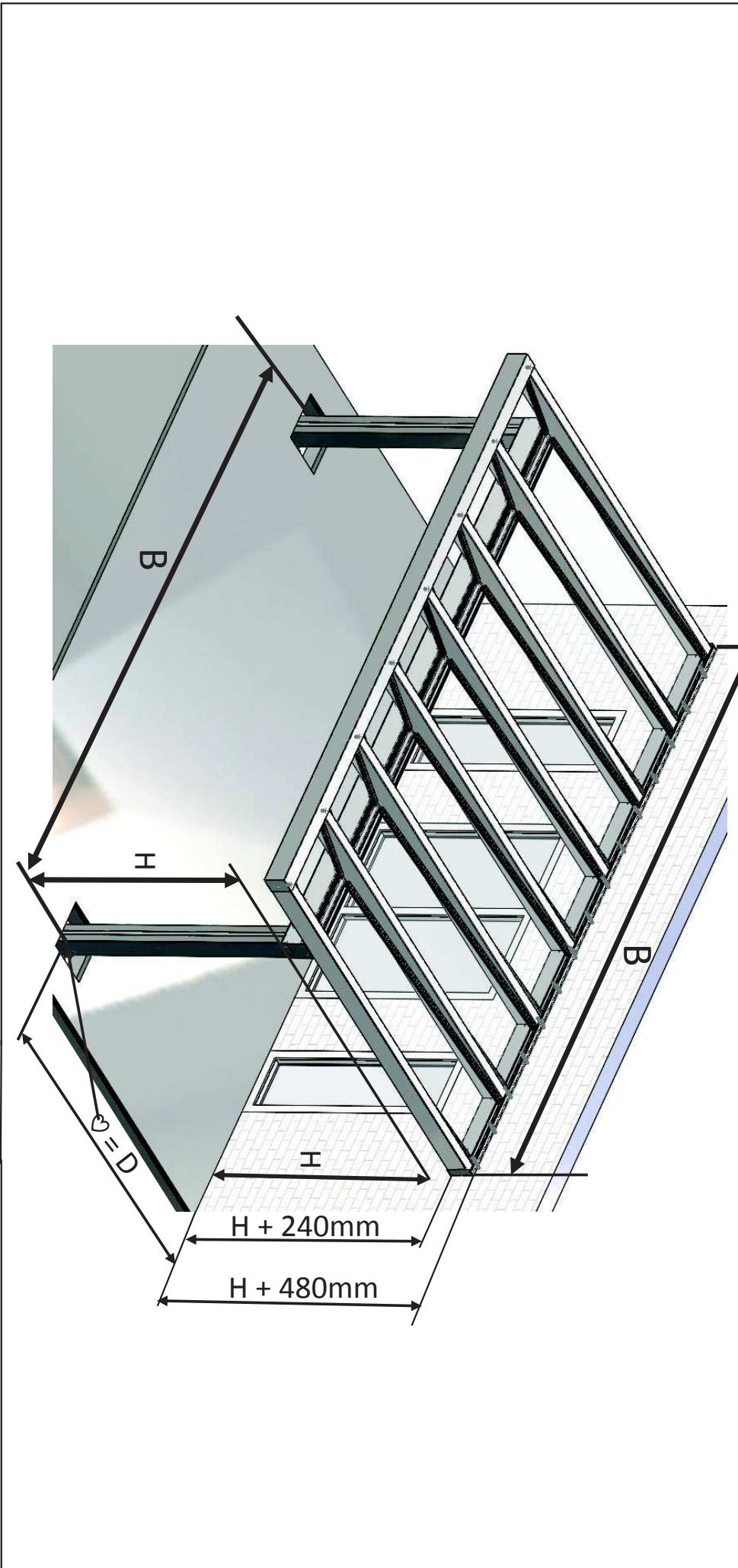
STL-06



0385 SA 5,5 x 32



0390 SA 4,2 x 32

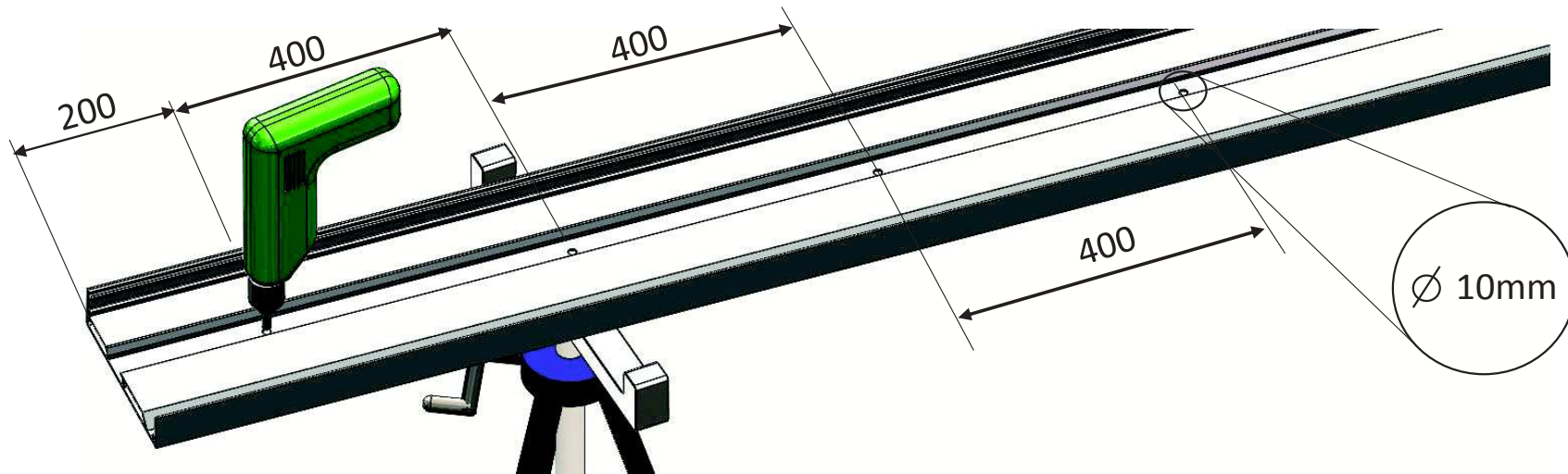
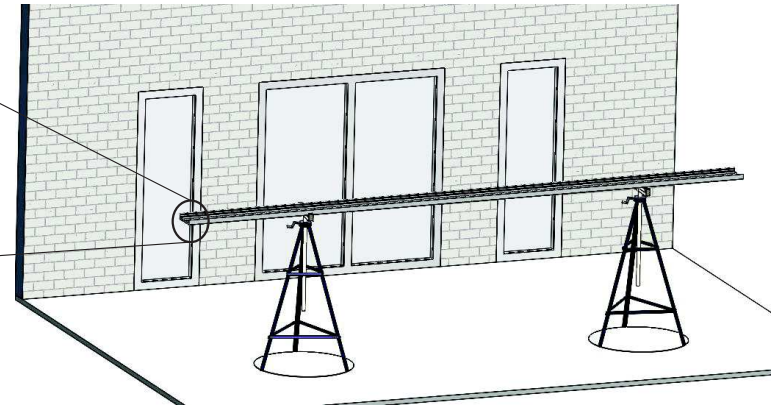
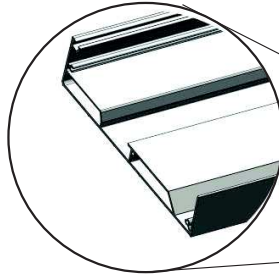
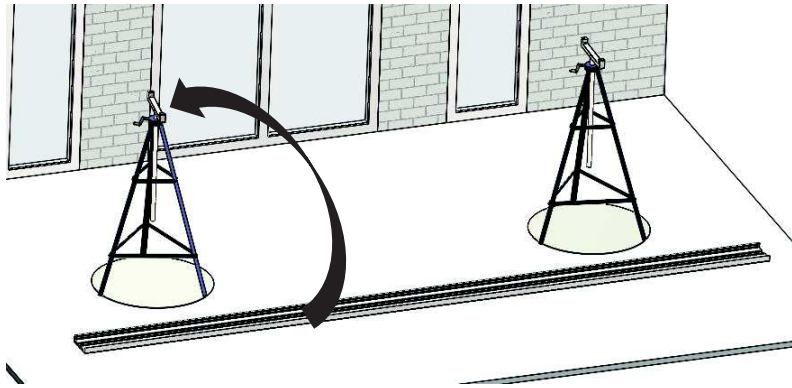
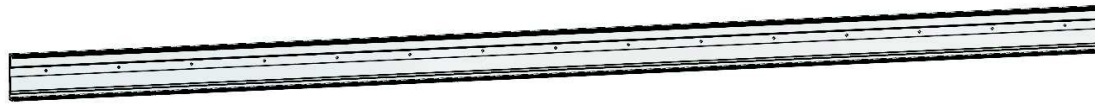






9

1 x 10006





10

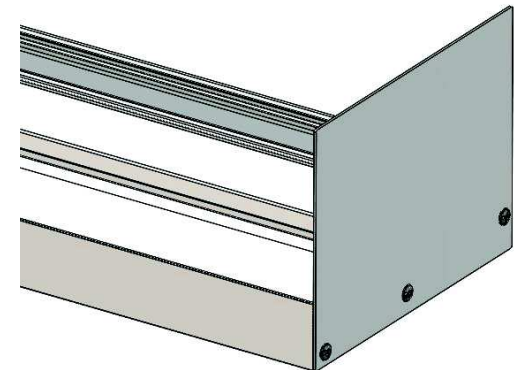
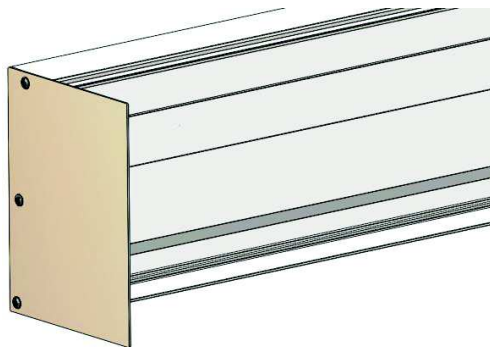
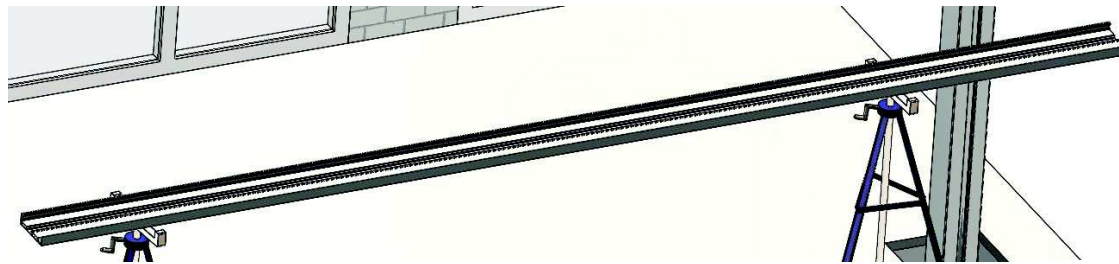
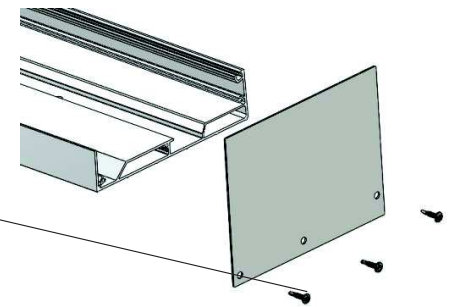
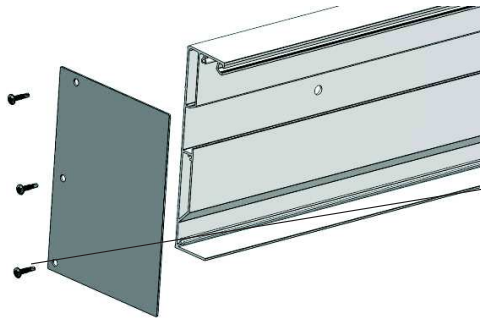
1 x 10006



2 x UL-03

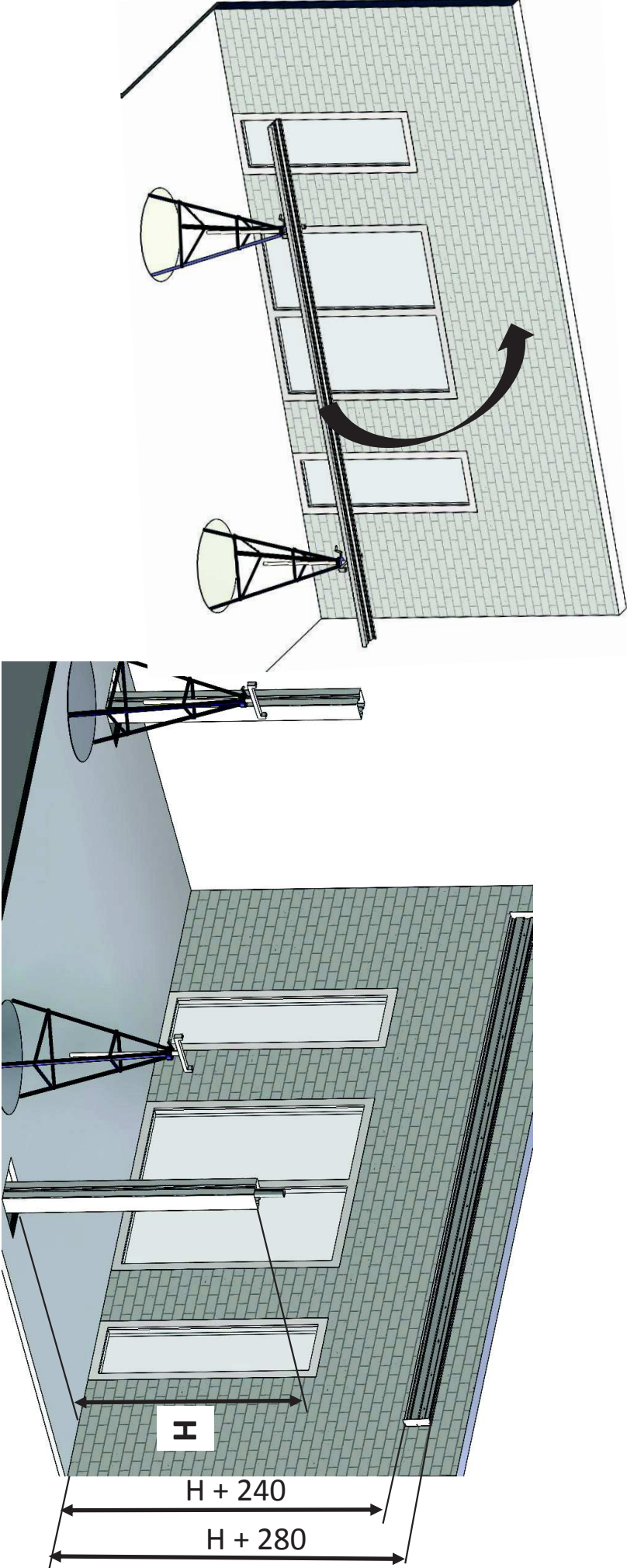
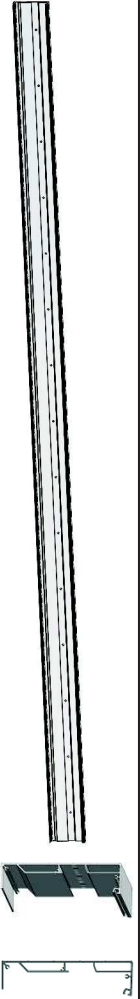


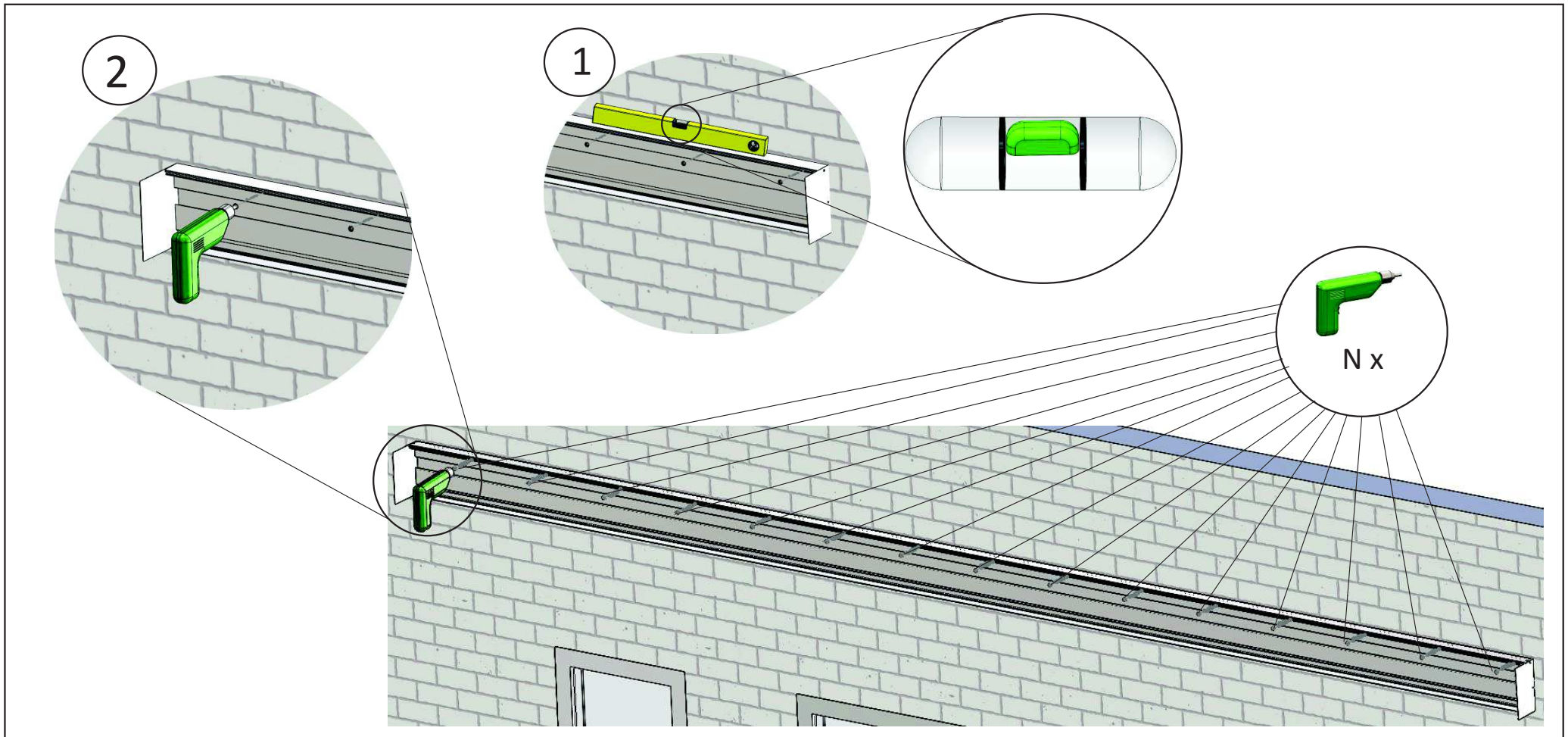
6 x 0390 SA 4,2 x 32



11

1 x 10006

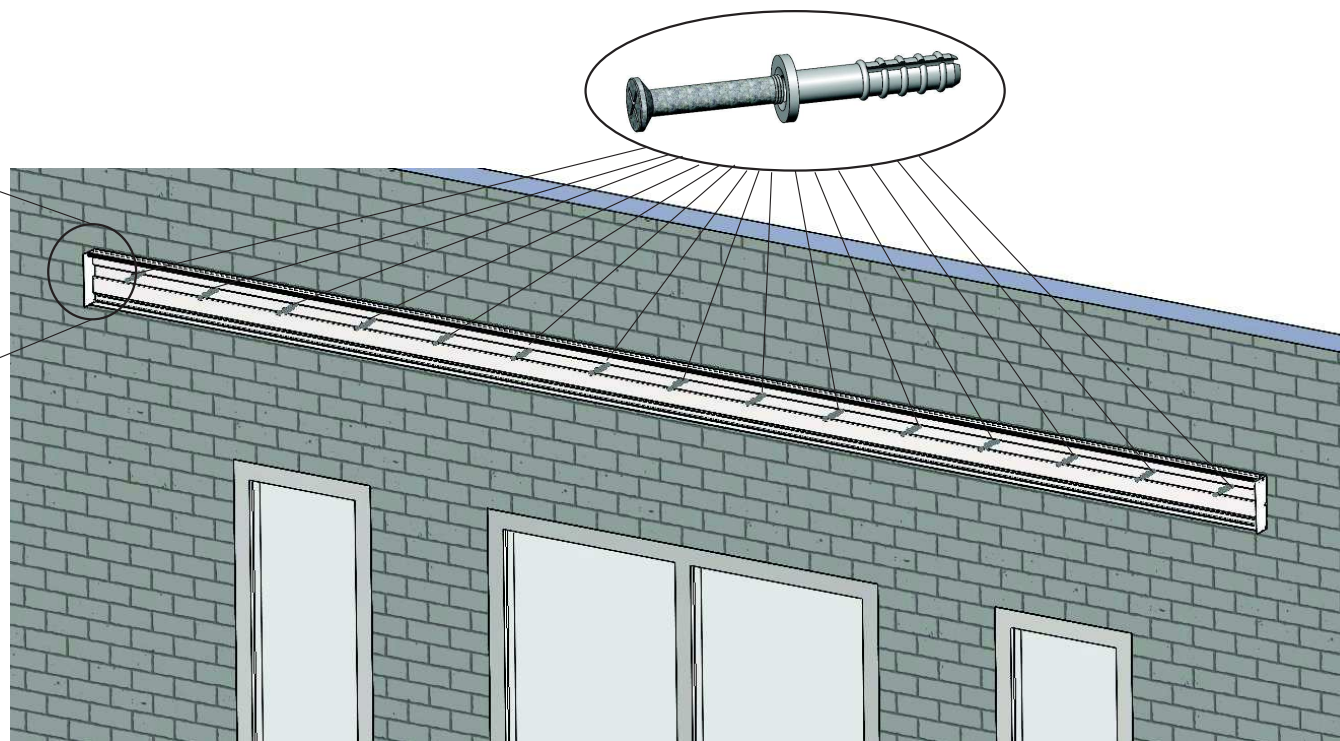
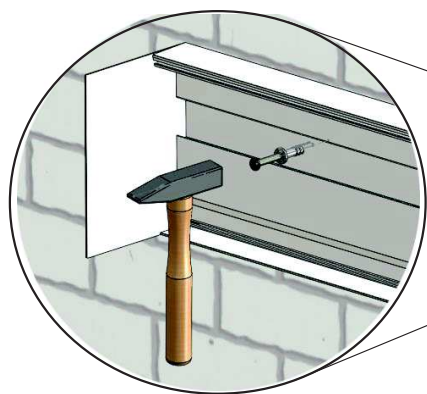
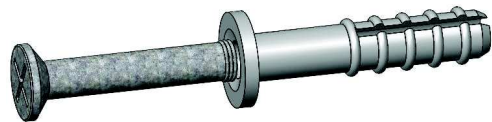




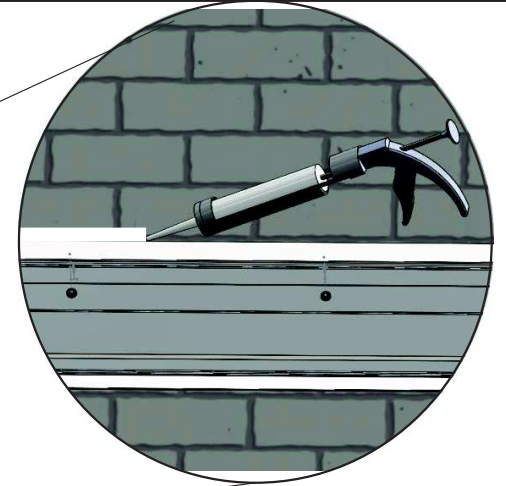
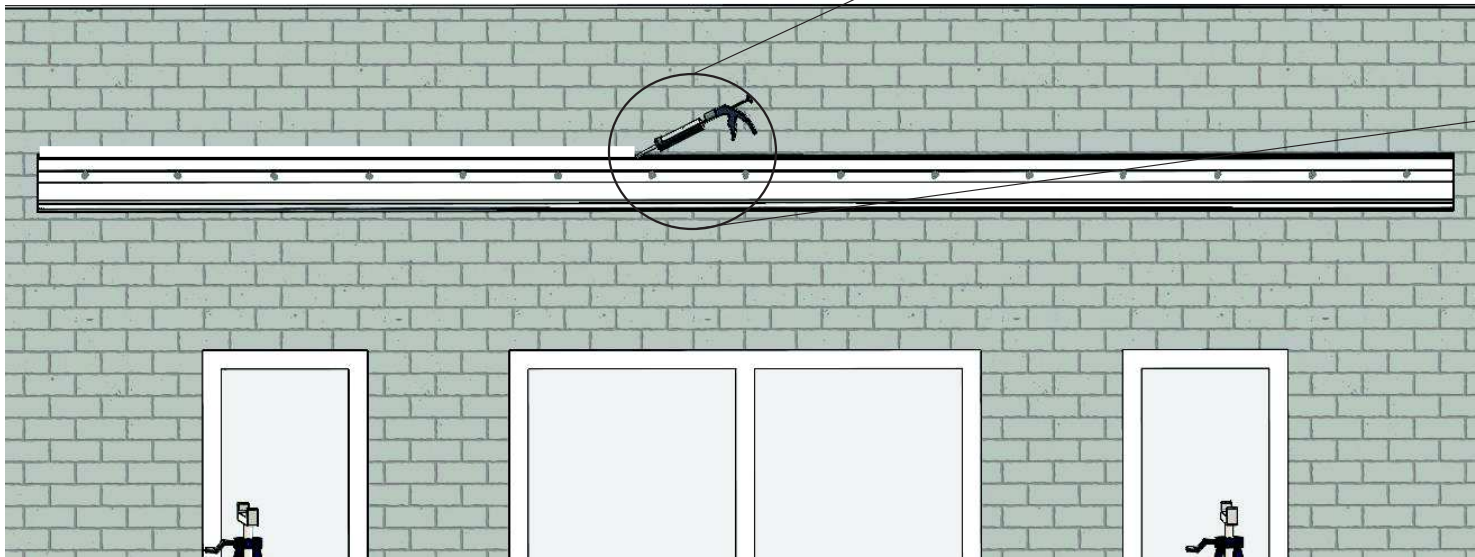


13

N x



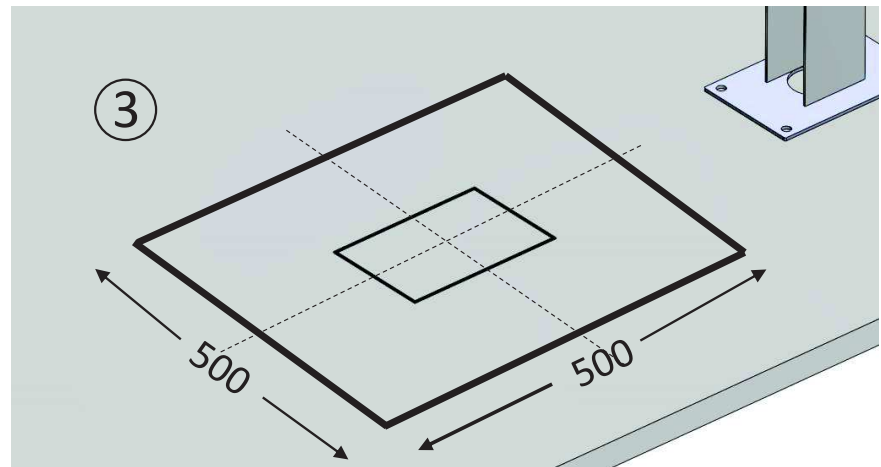
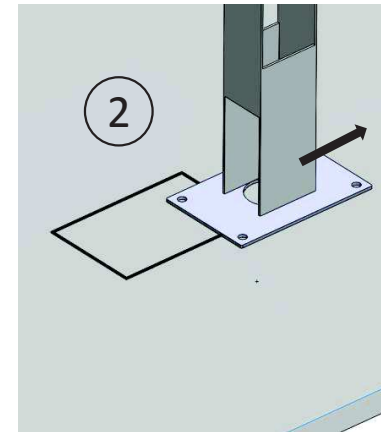
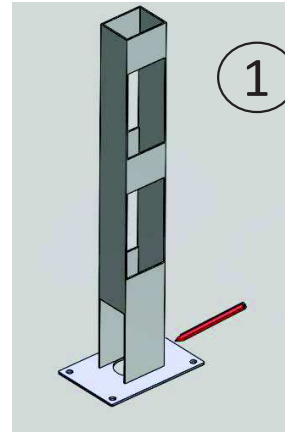
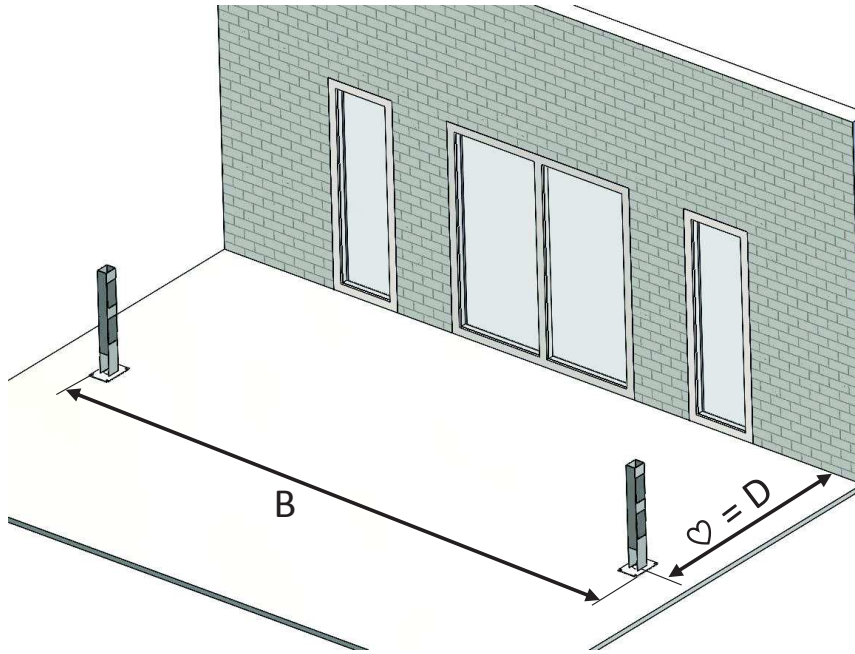
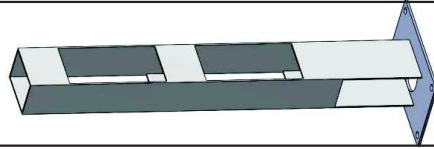
14





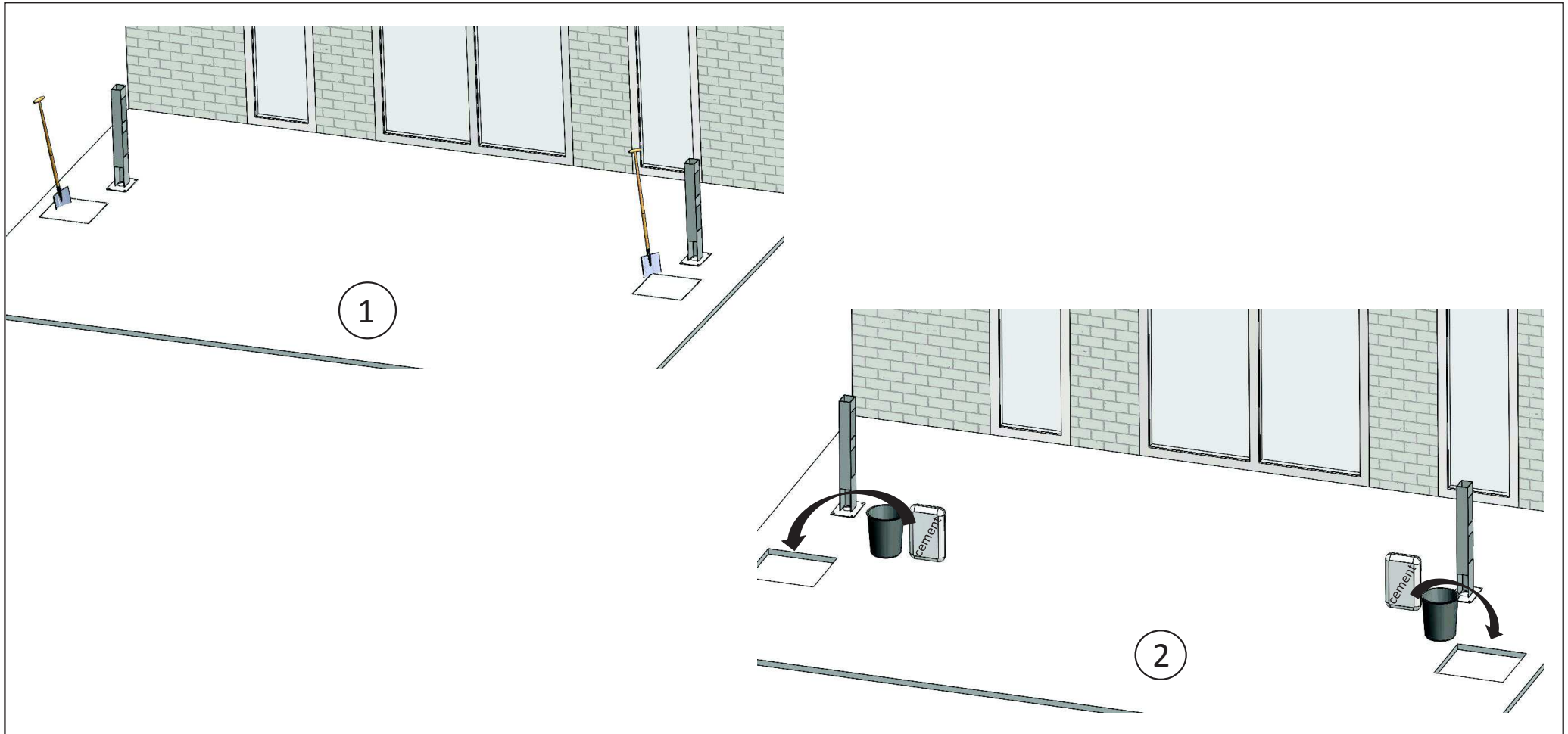
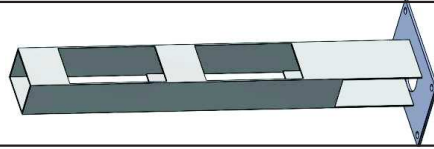
15

2 x



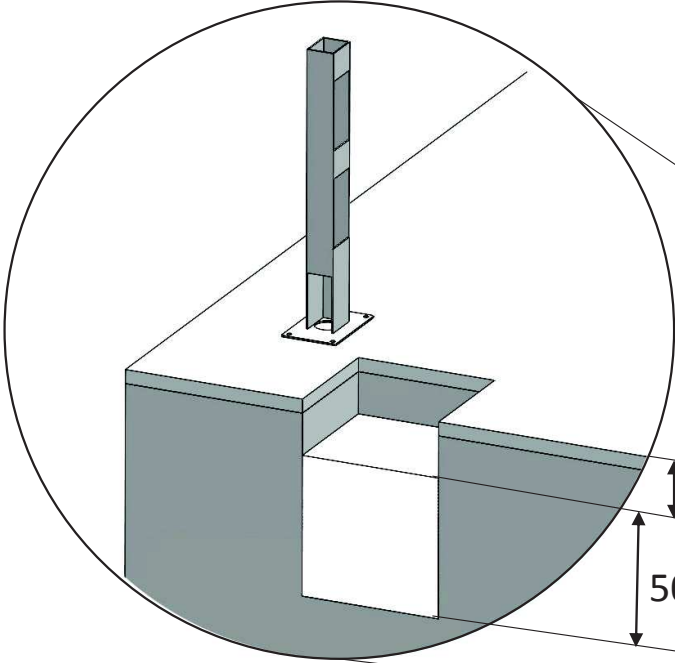
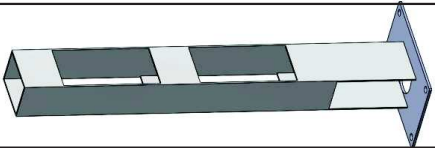
16

2 x



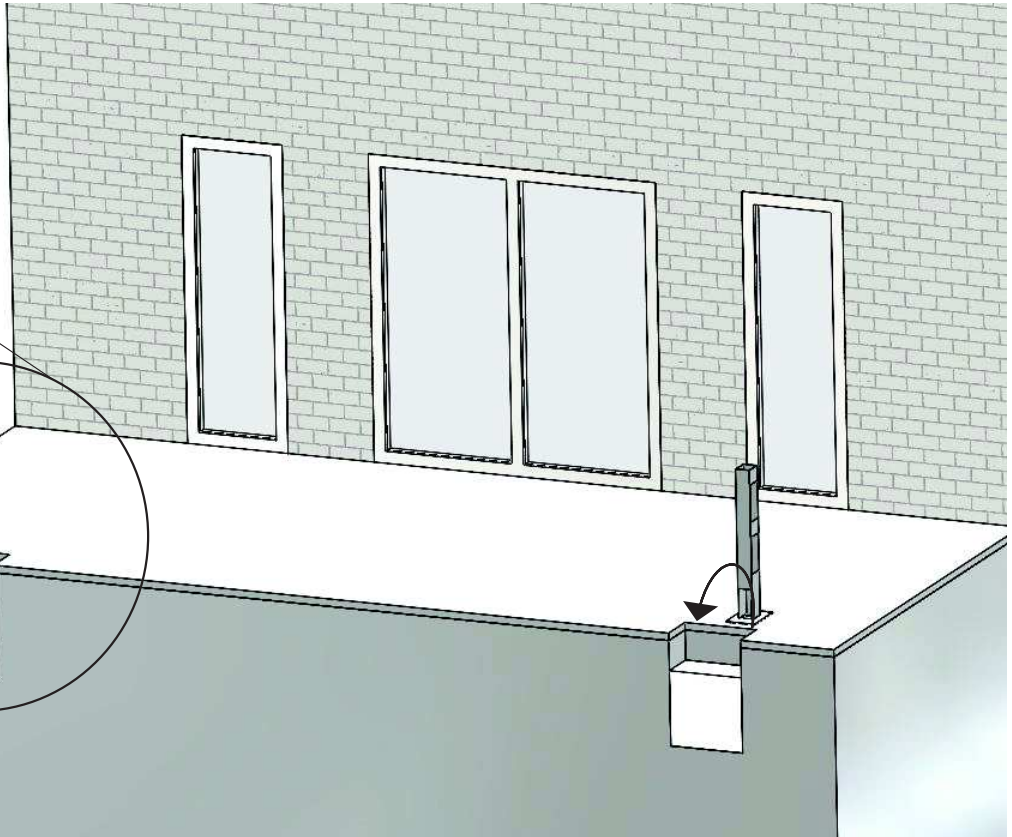
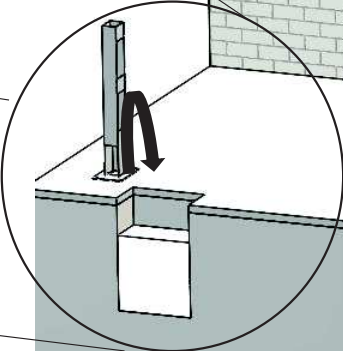
17

2 x



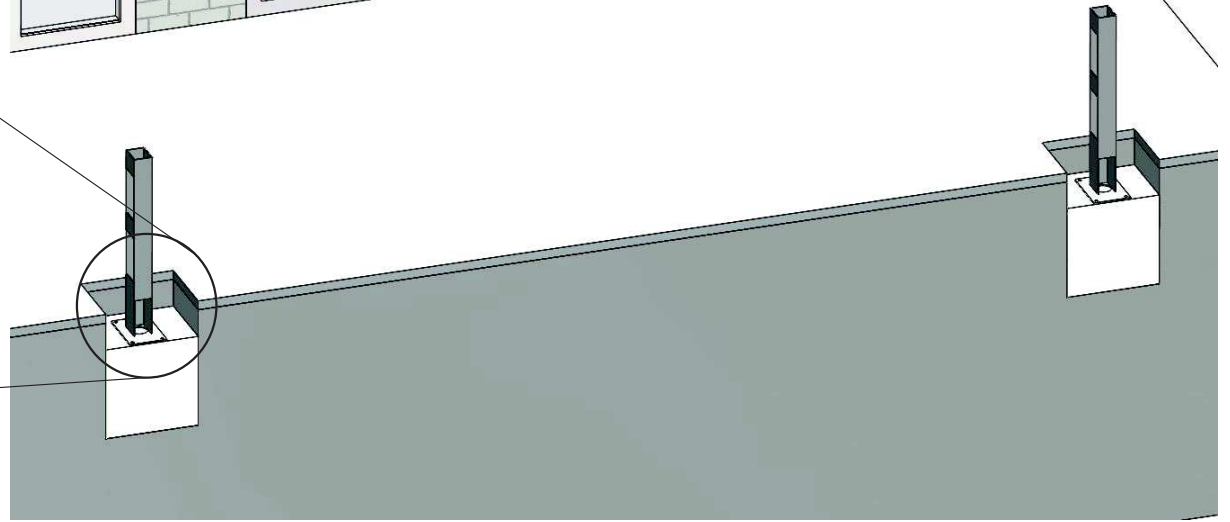
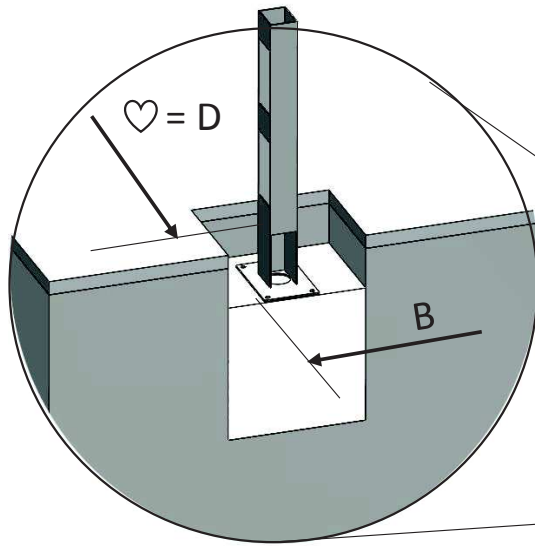
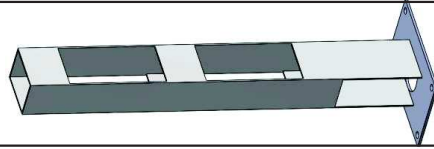
200

500



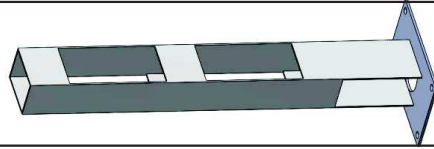
18

2 x

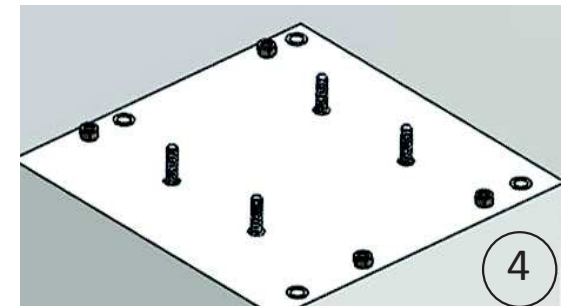
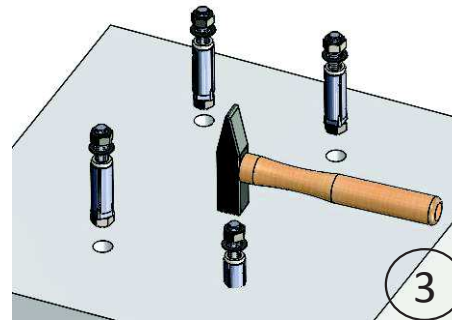
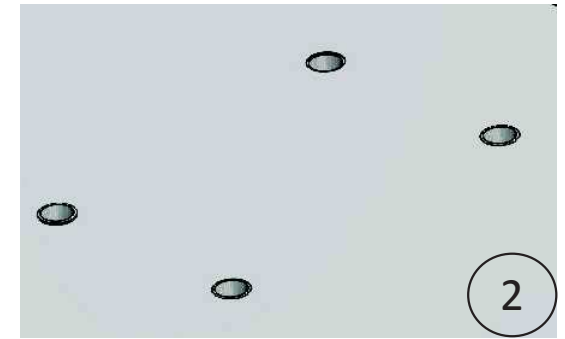
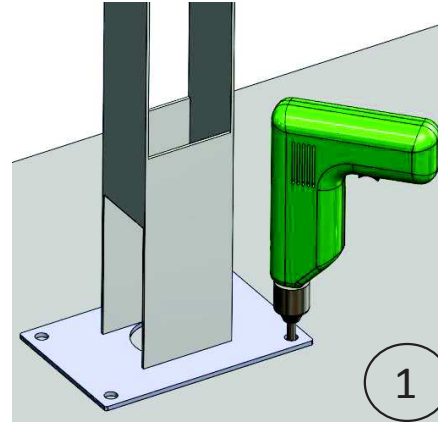
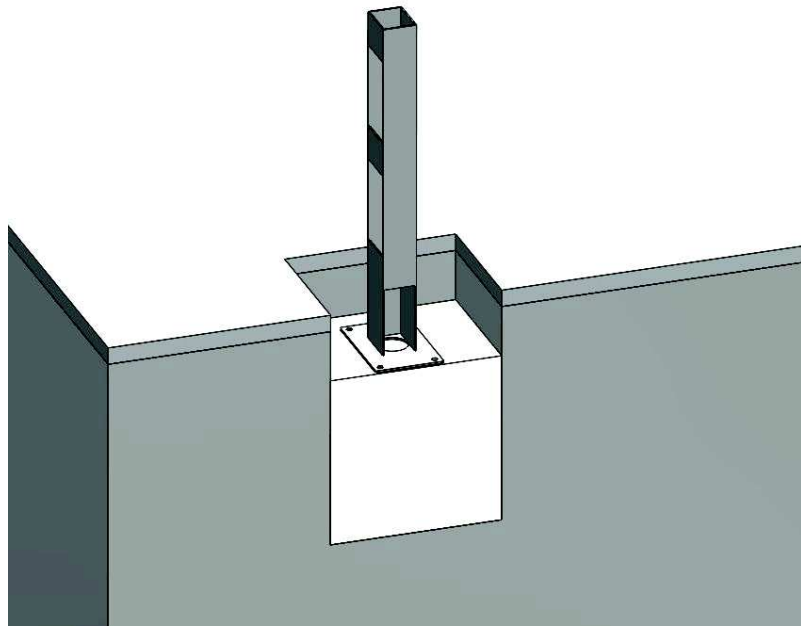
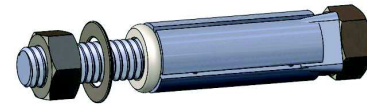


19

2 x



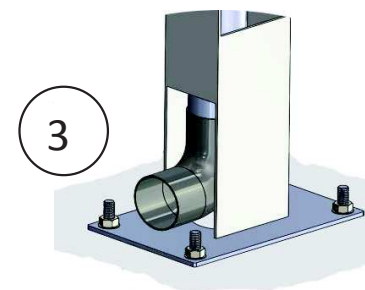
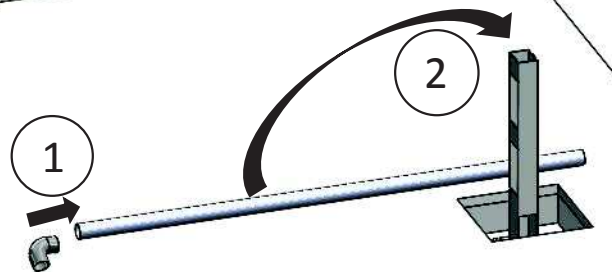
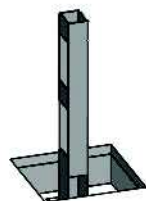
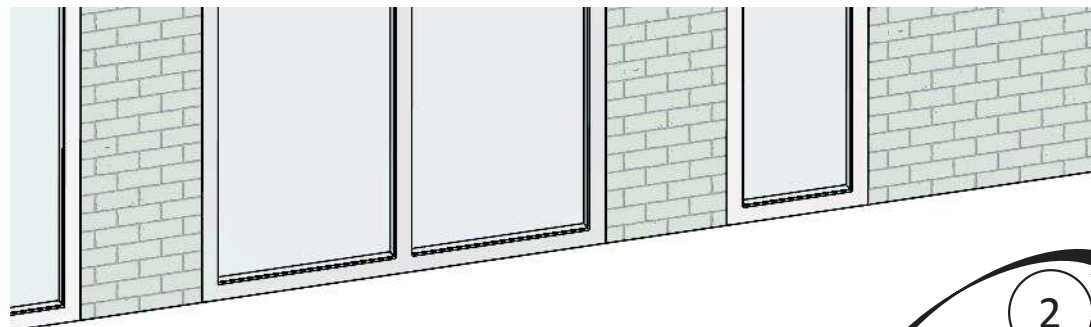
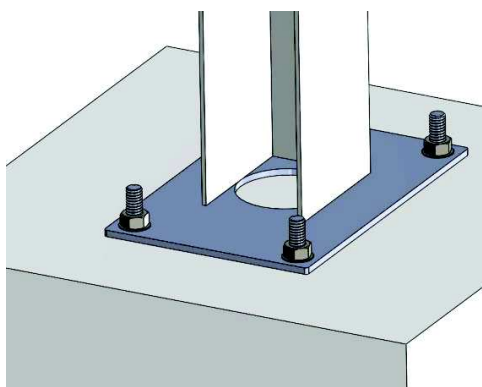
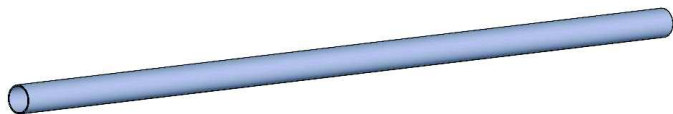
8 x





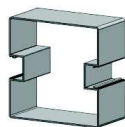
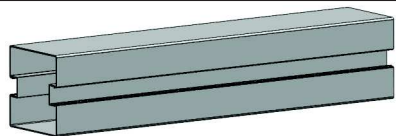
20

1 x

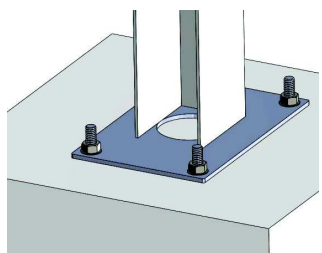


21

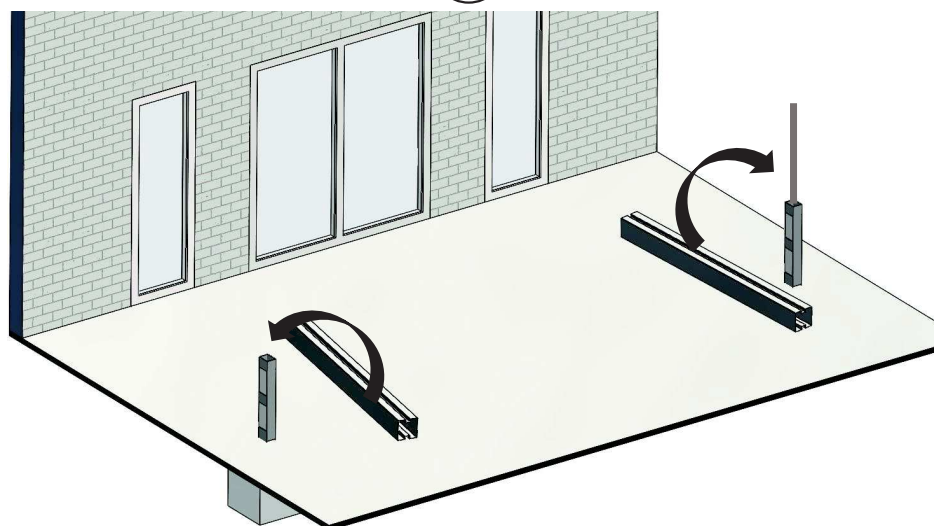
2 x



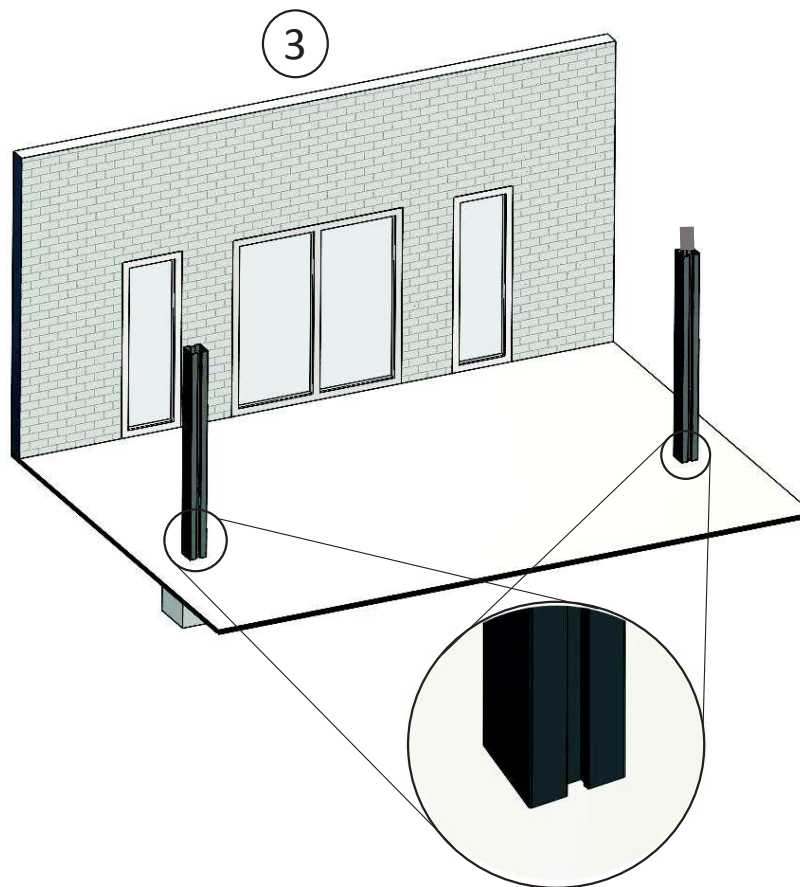
AL10001



1

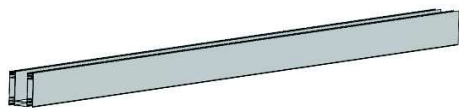


2

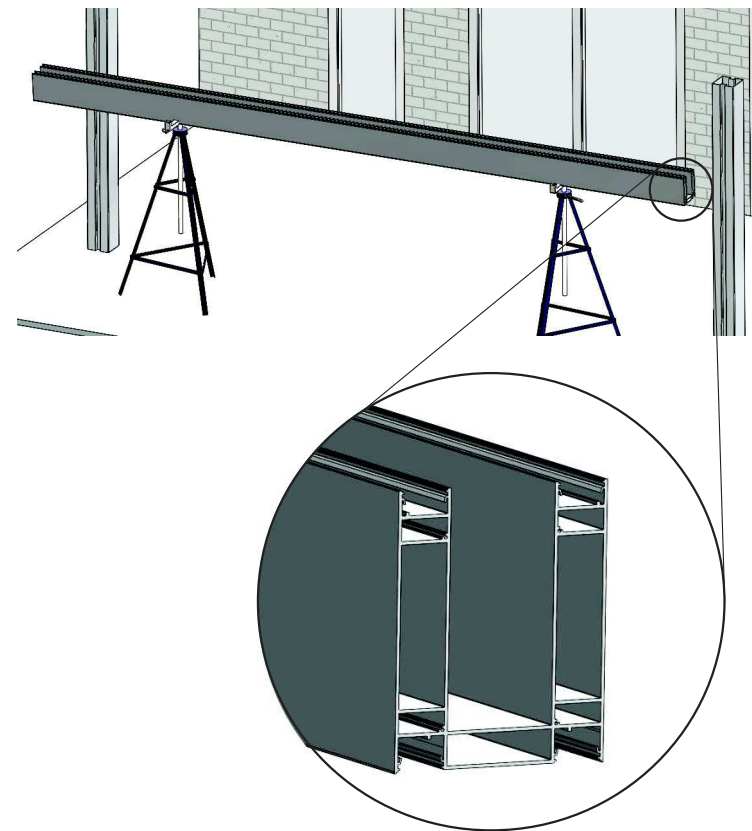
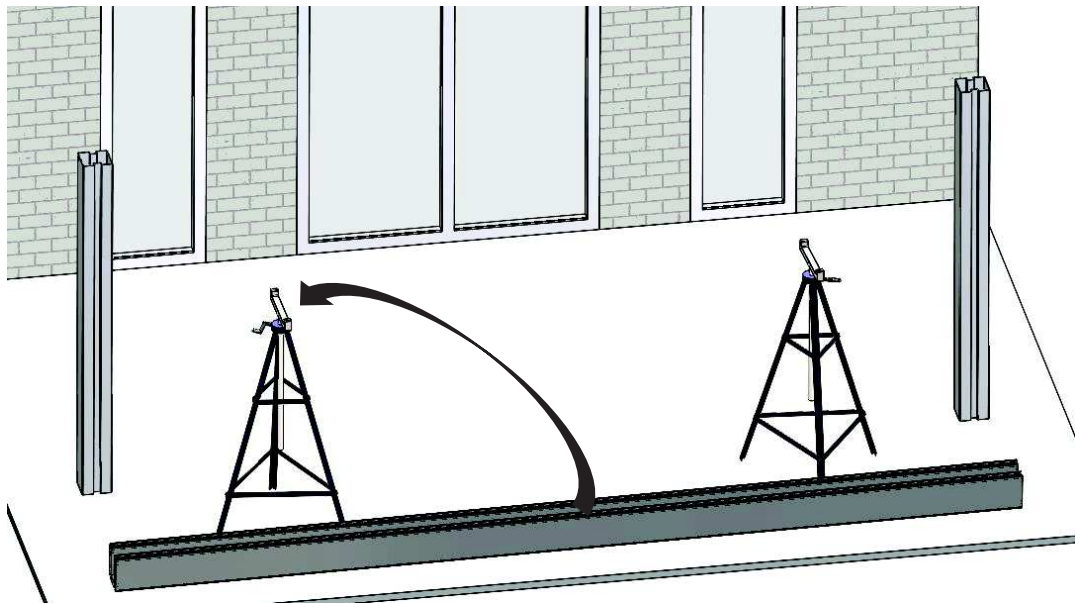


3

22

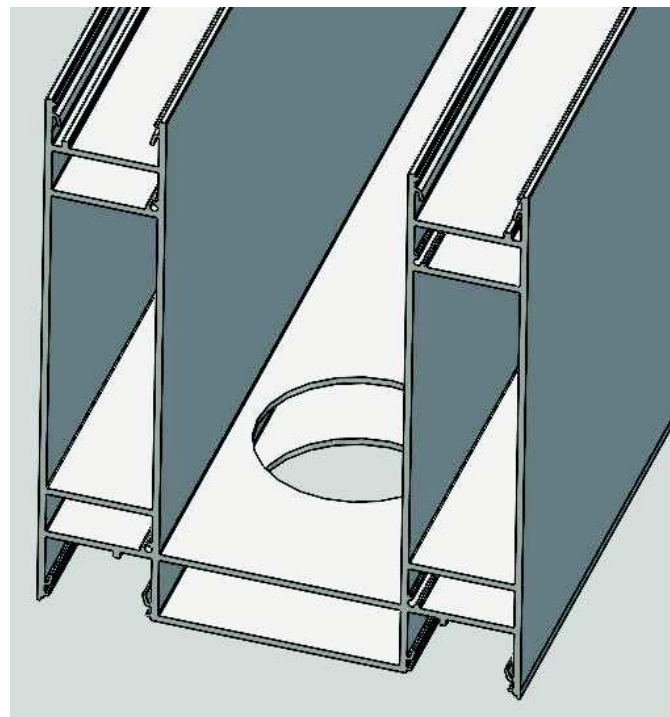
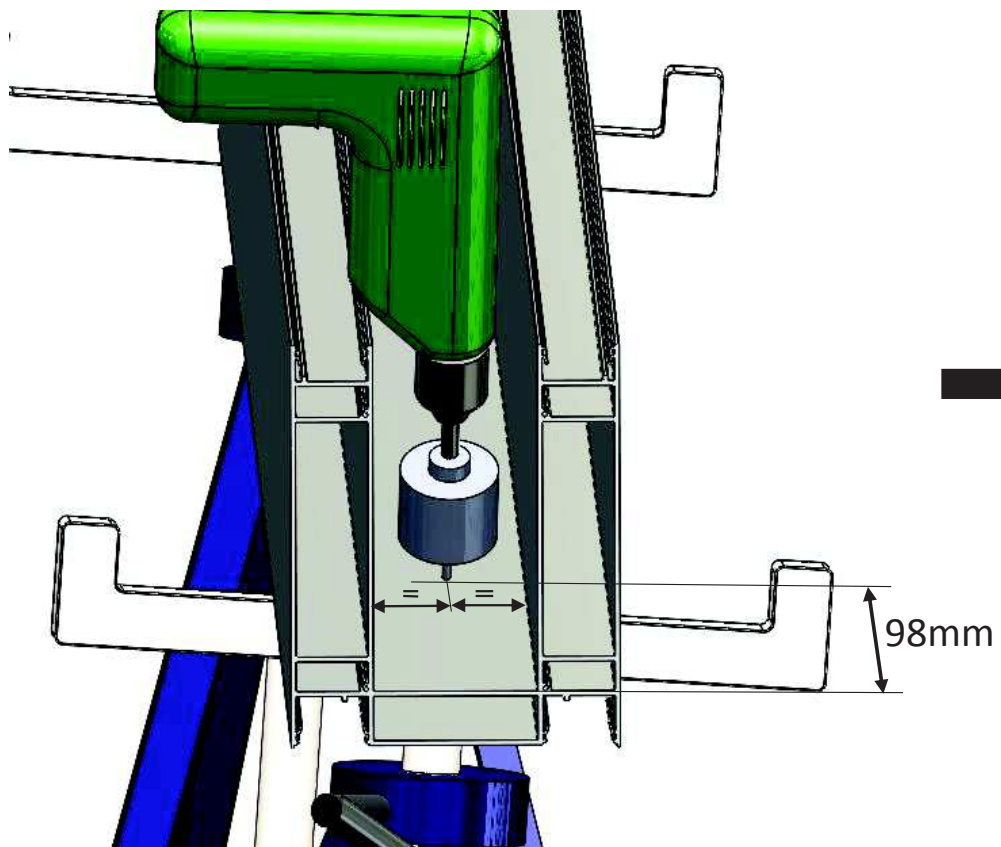
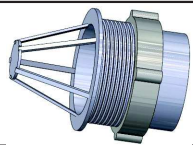


1 x AL10002



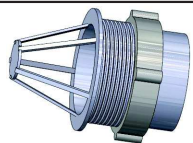
23

1 x

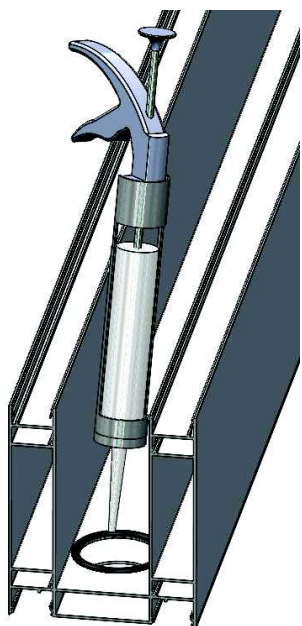


24

1 x



1



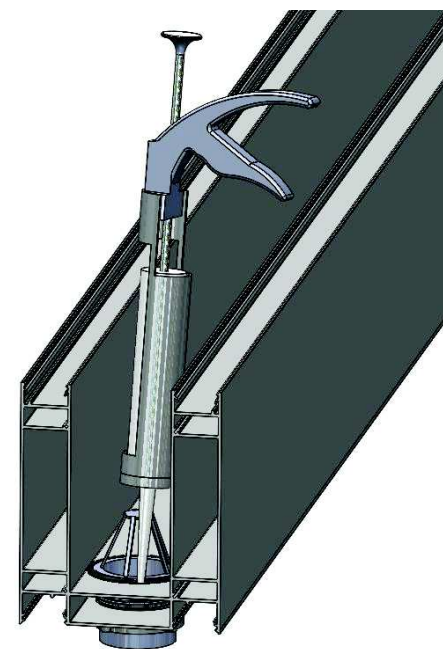
2



3



4



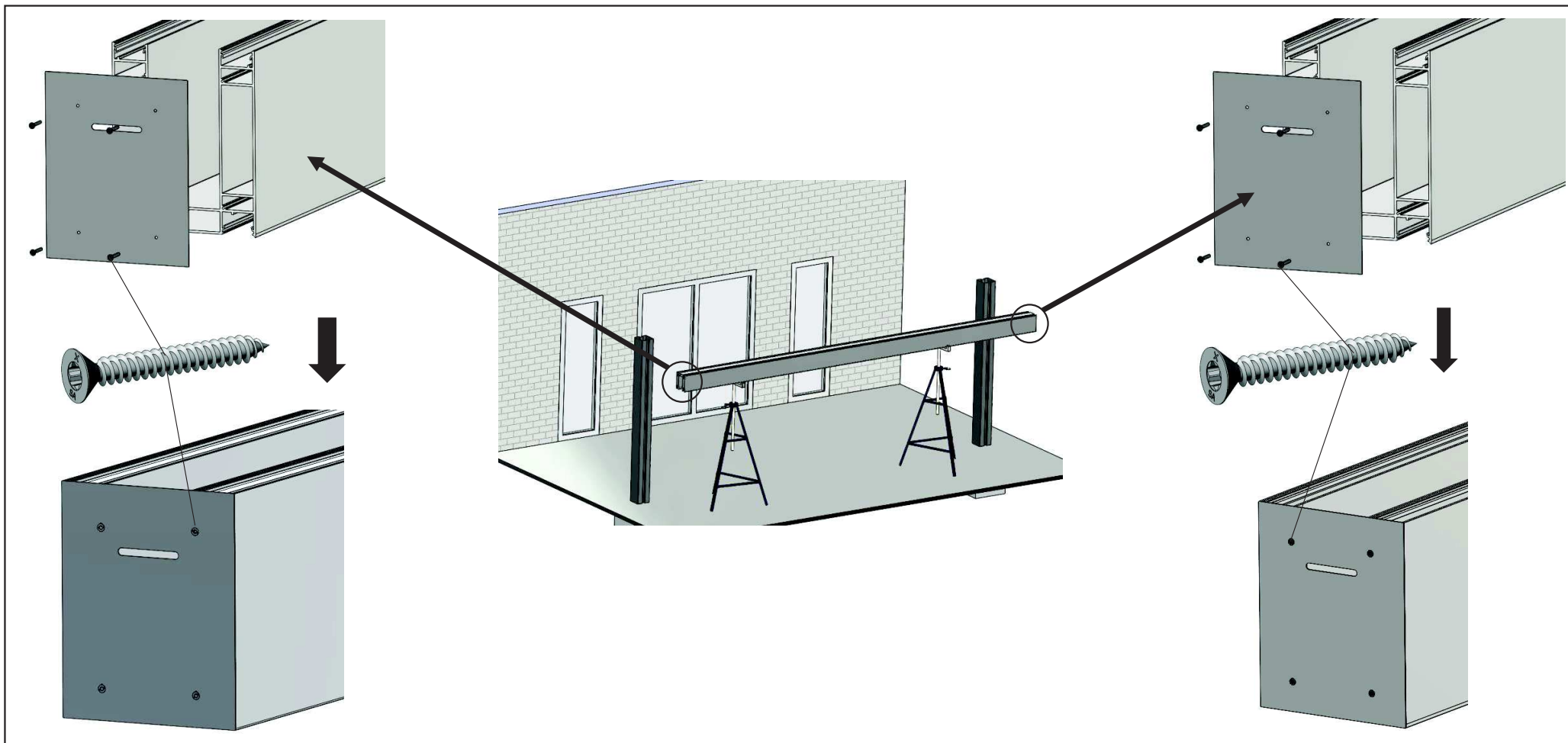


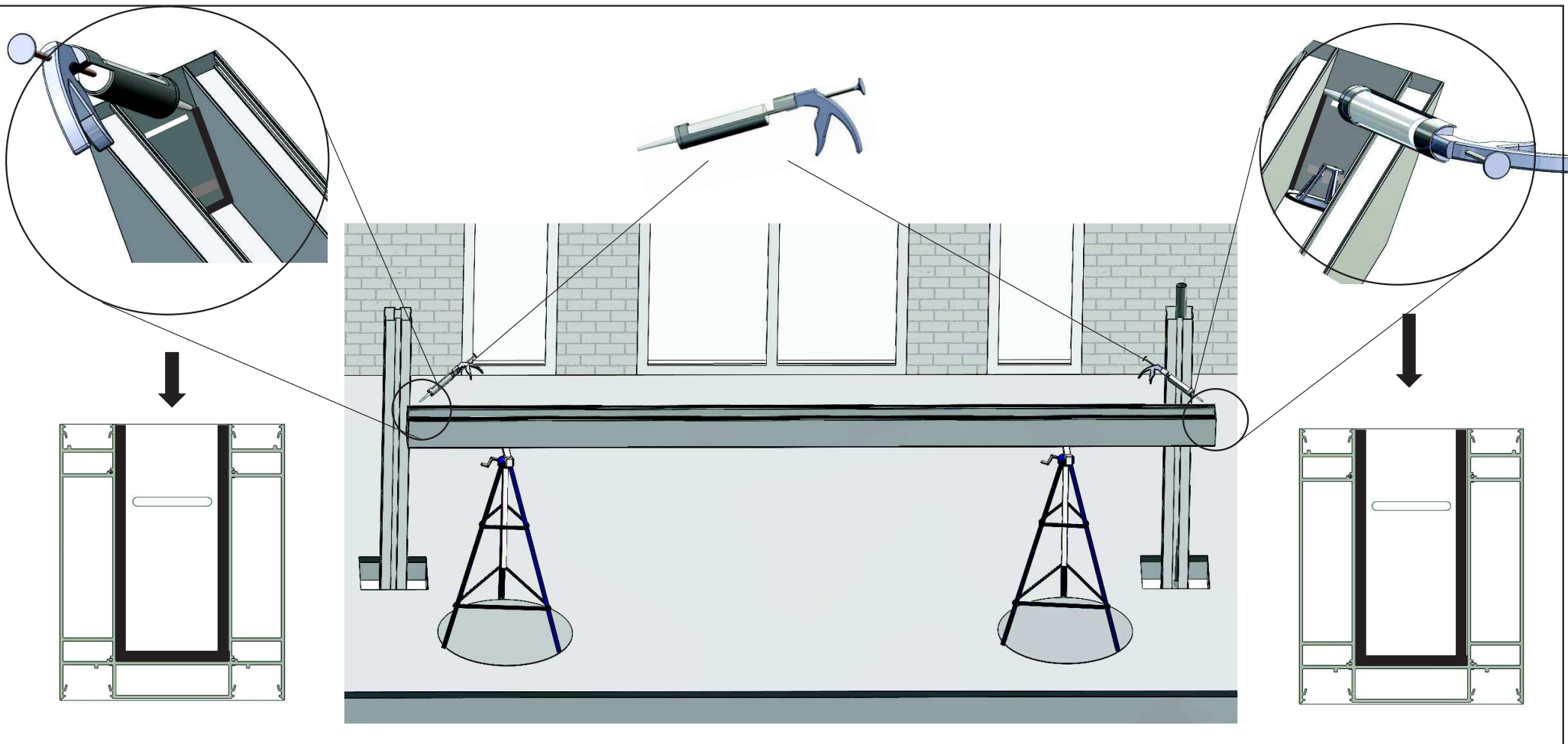
25

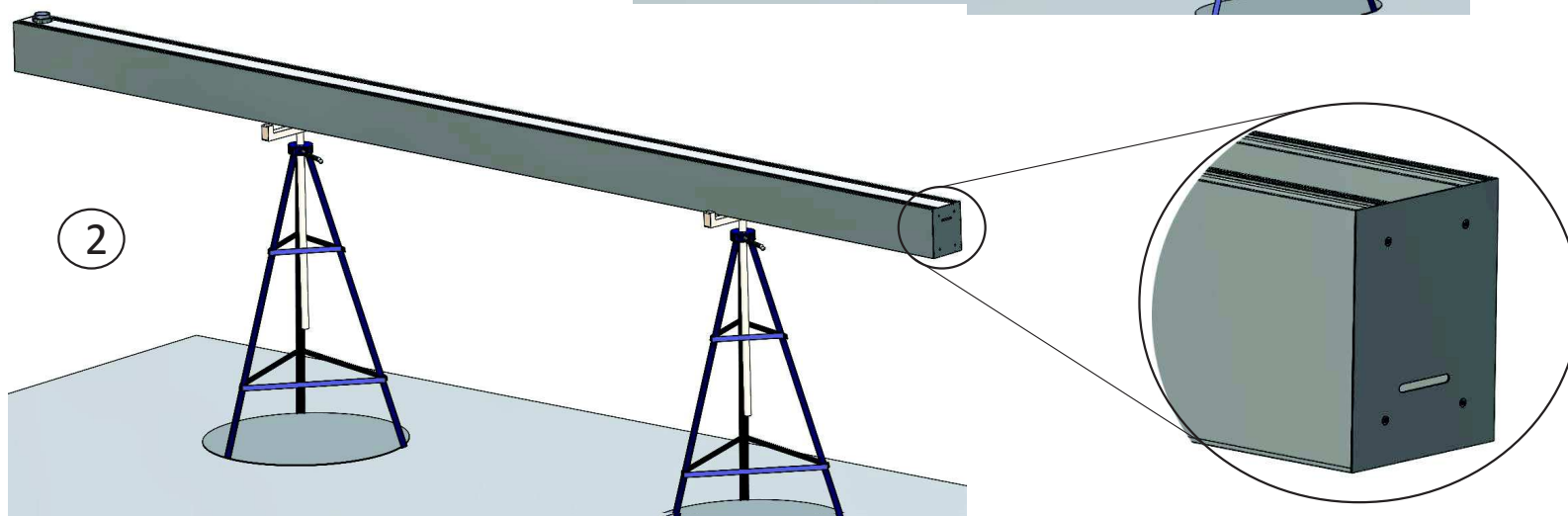
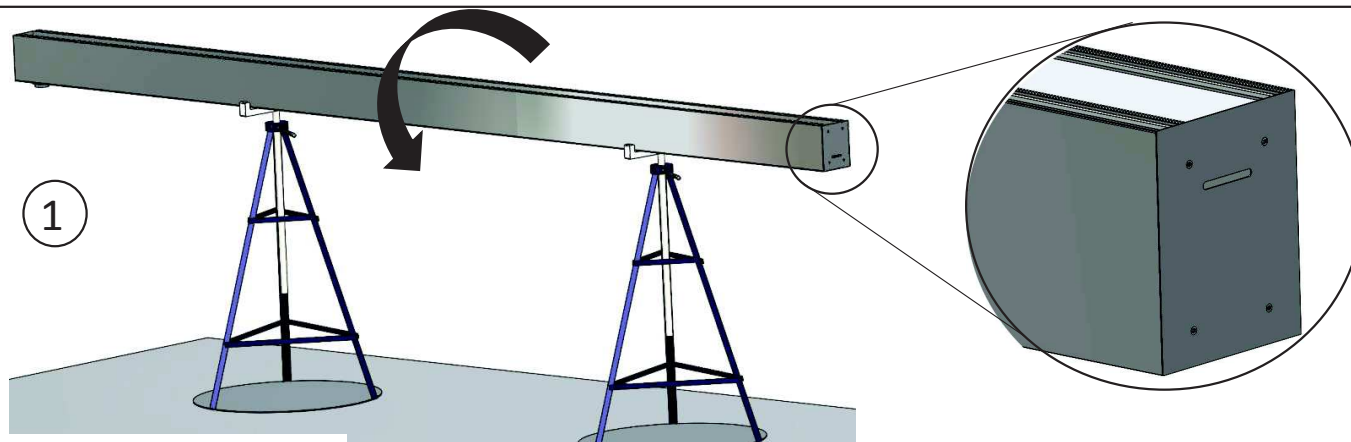
2 x UL-02



8 x 0390 SA 4,2 x 32

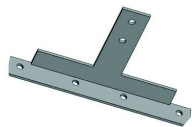






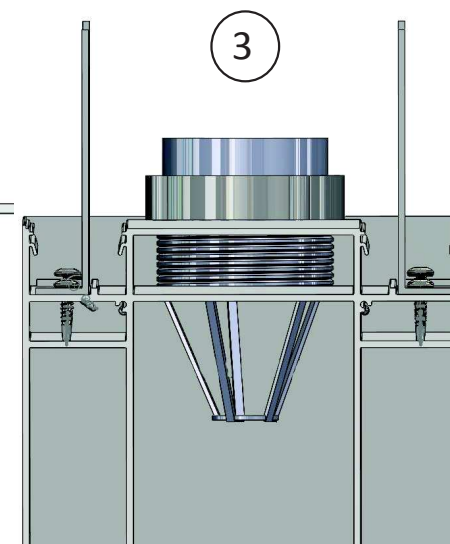
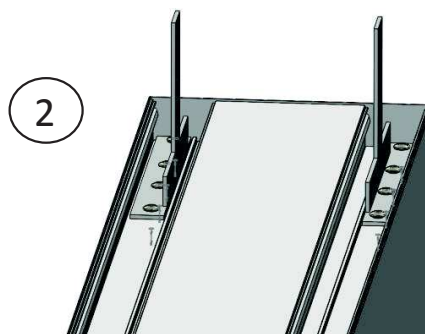
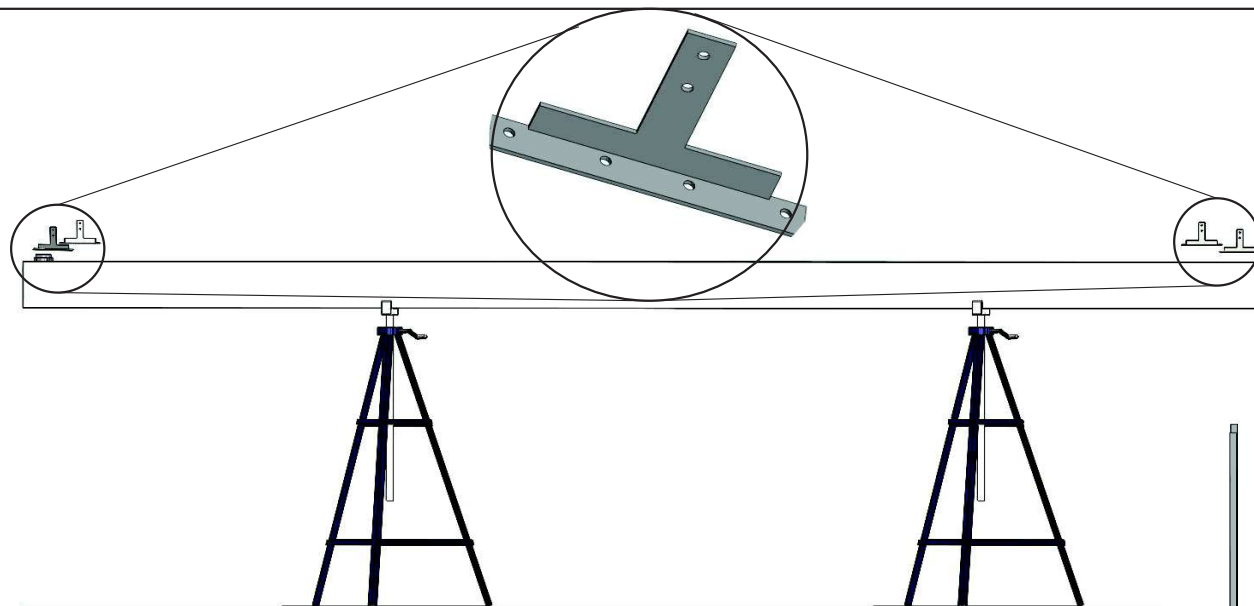
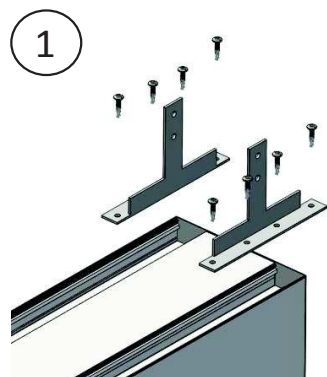
28

4 x



AL10010

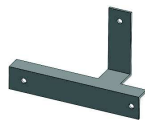
16 x



29

AL10009A en AL10009B

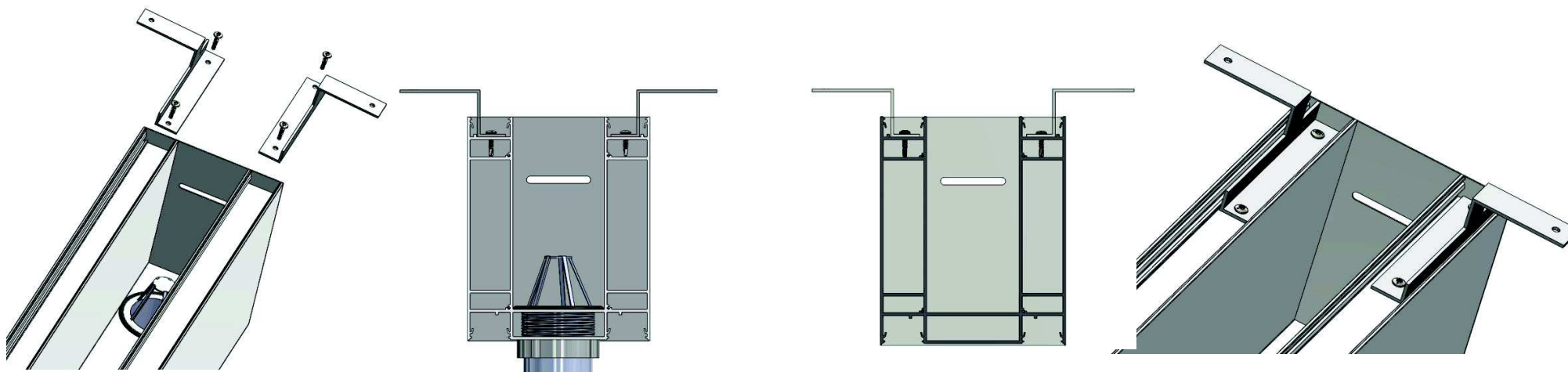
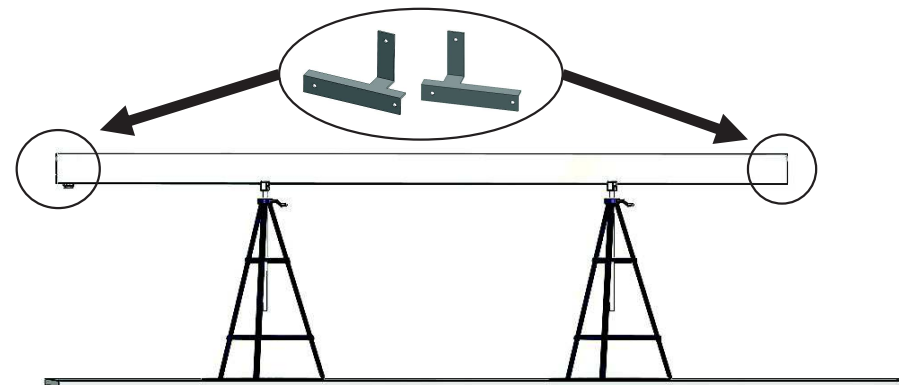
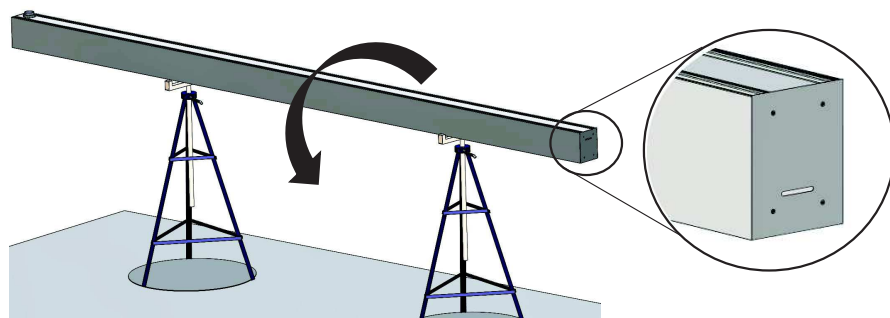
2 x



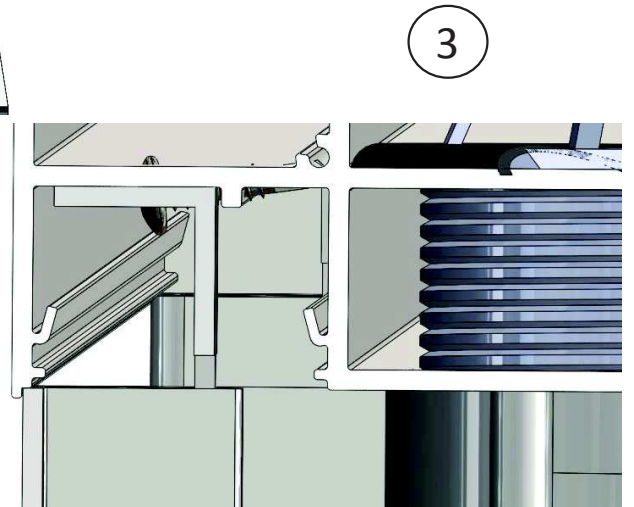
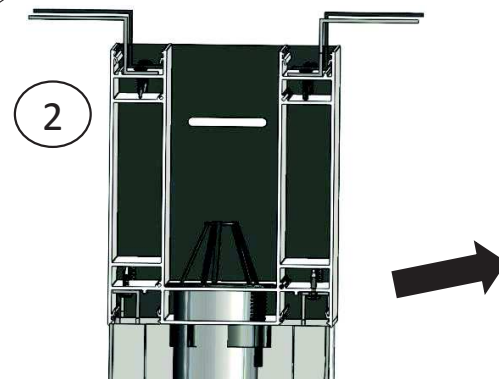
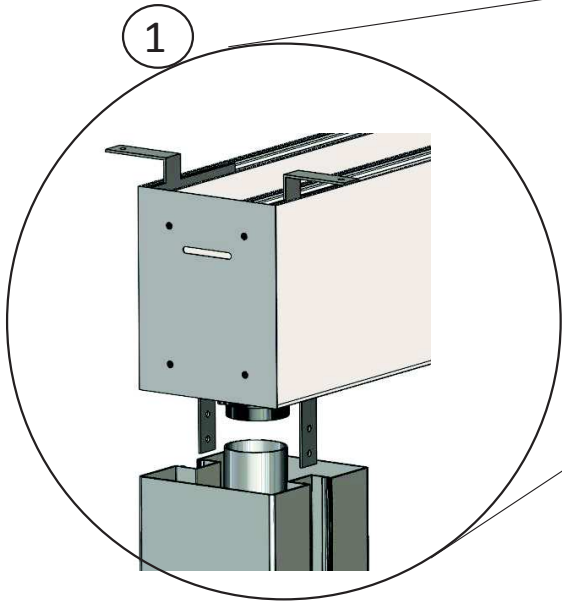
2 x



8 x 303 BI 5,5 x 25

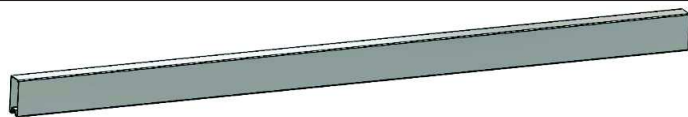




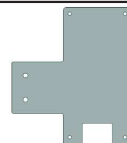


31

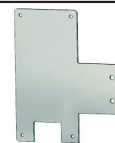
2 x AL10003



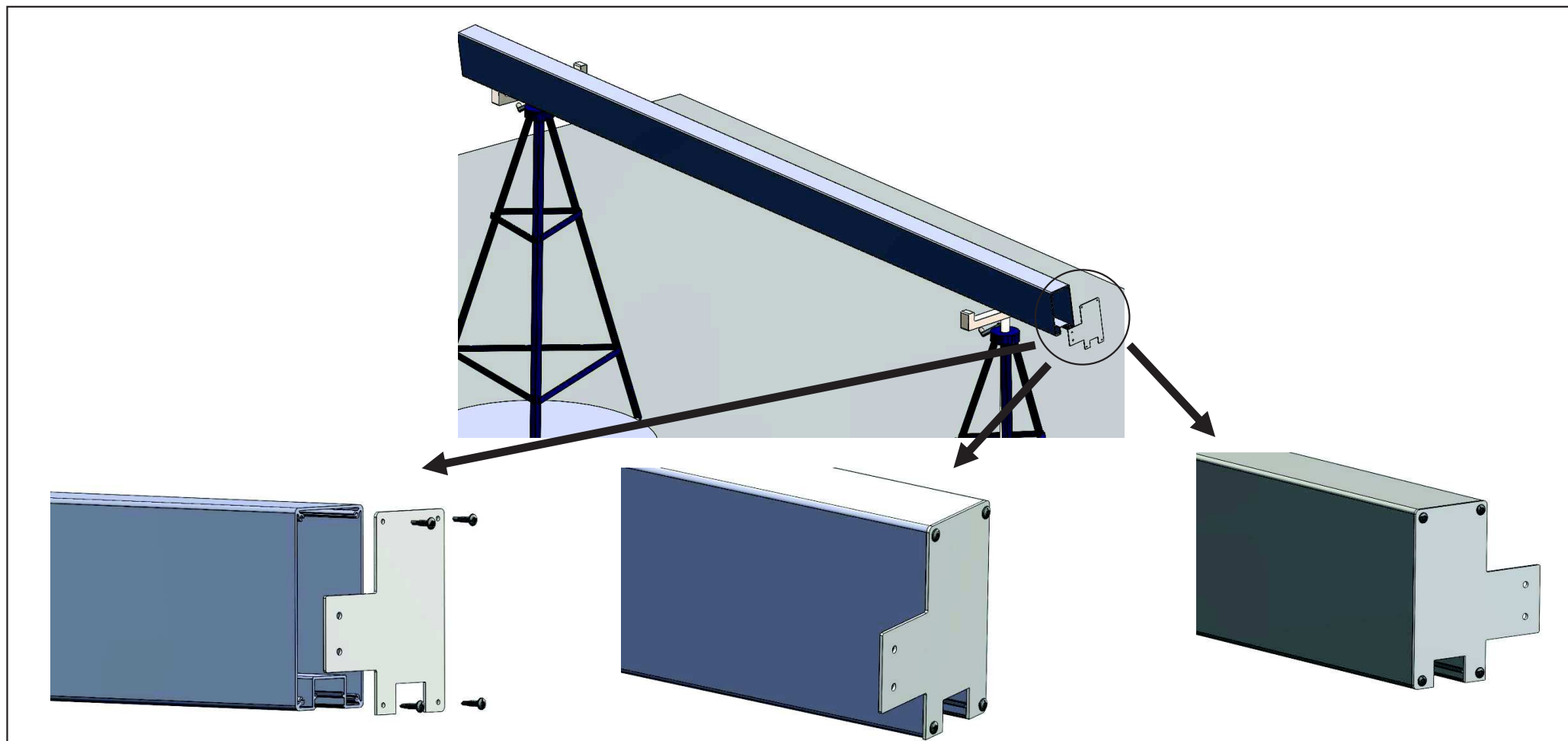
1 x



1 x

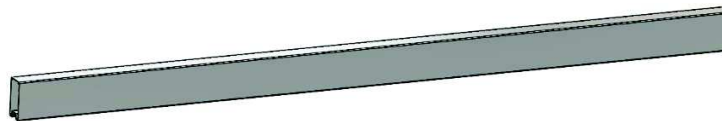


8 x



32

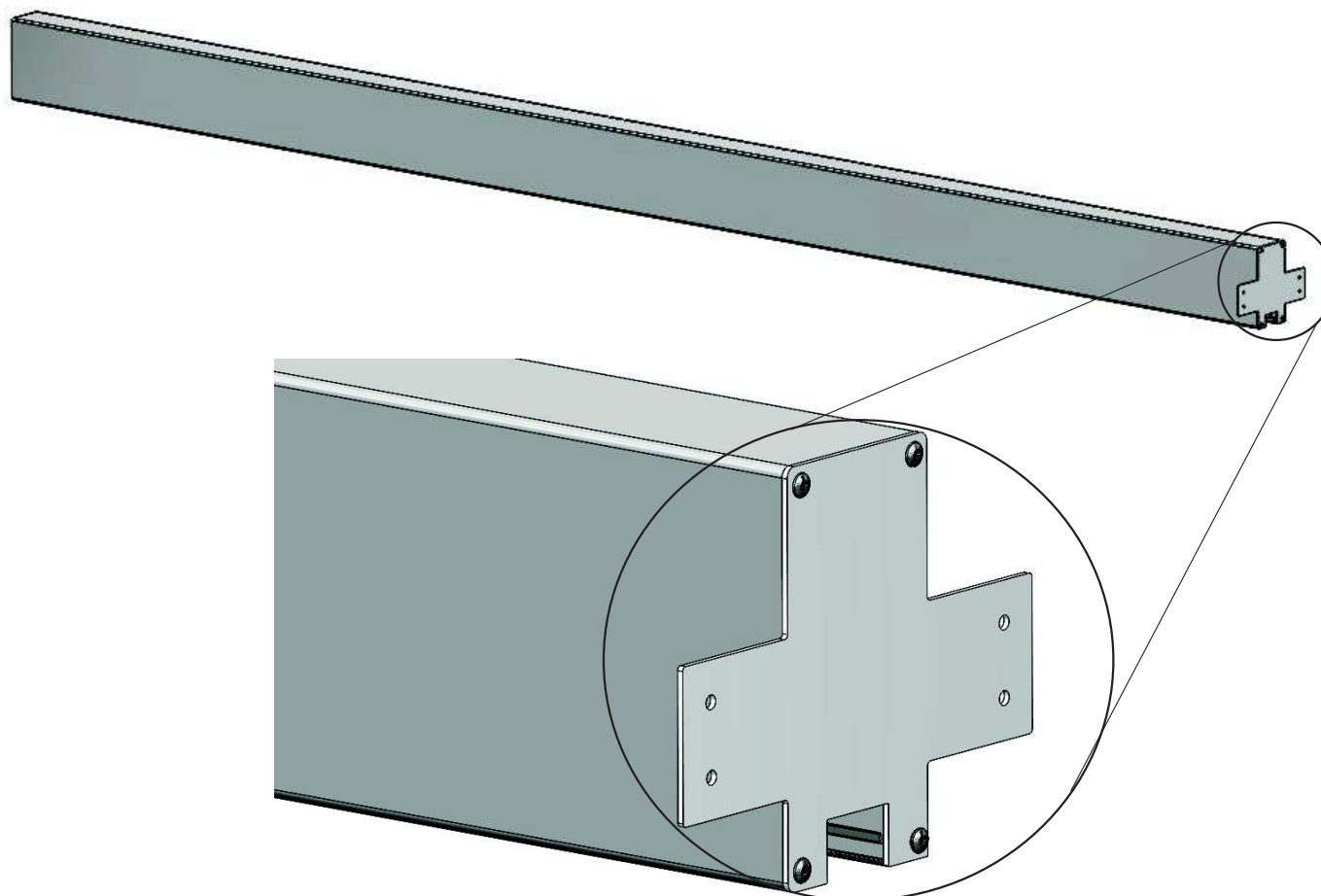
N x AL10003



N x

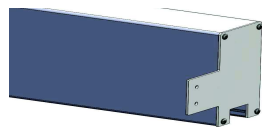


N x

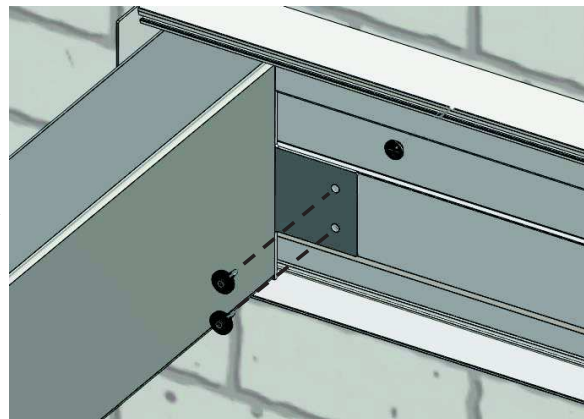
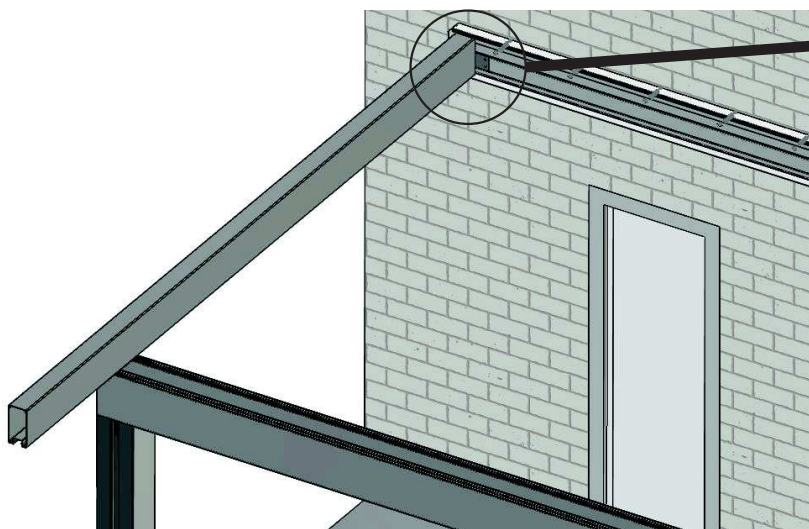


33

1 x AL10003 + 0300



2 x

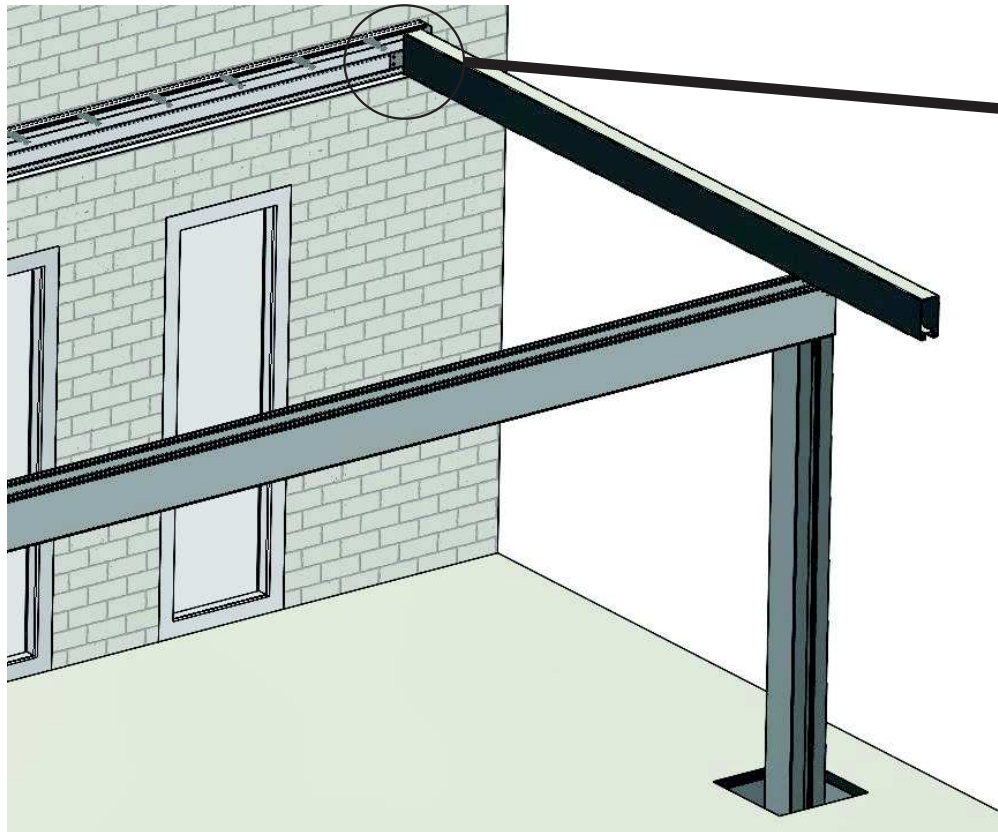
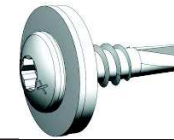


34

1 x AL10003 + 0300



2 x



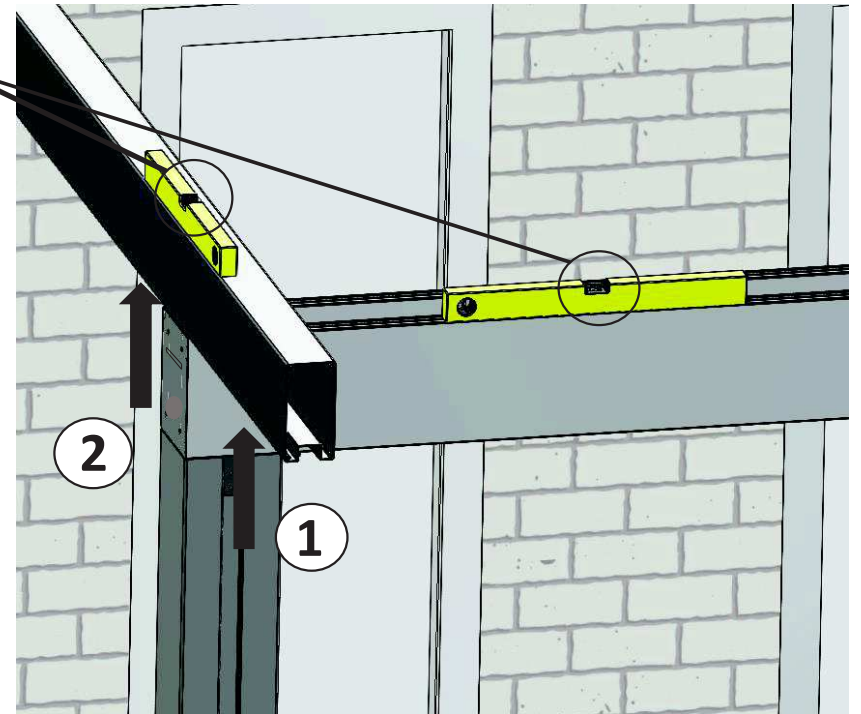
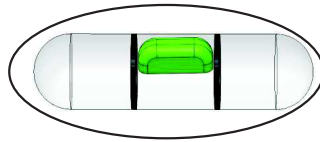
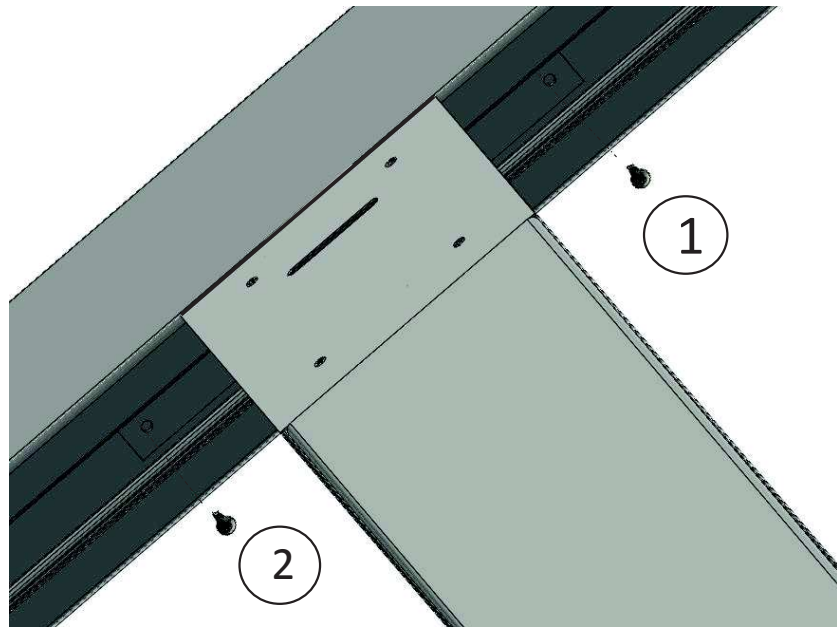




$$X = Y$$

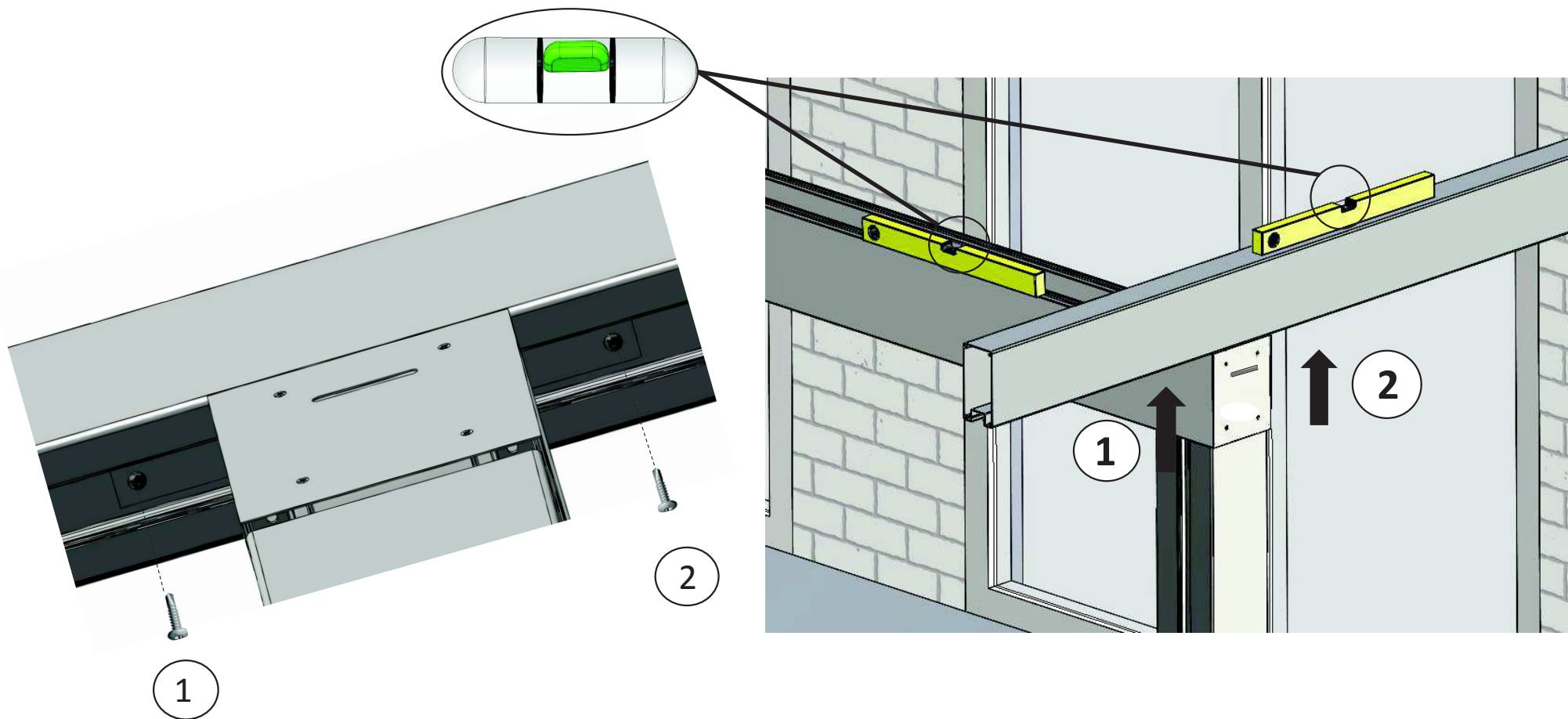
36

2 x



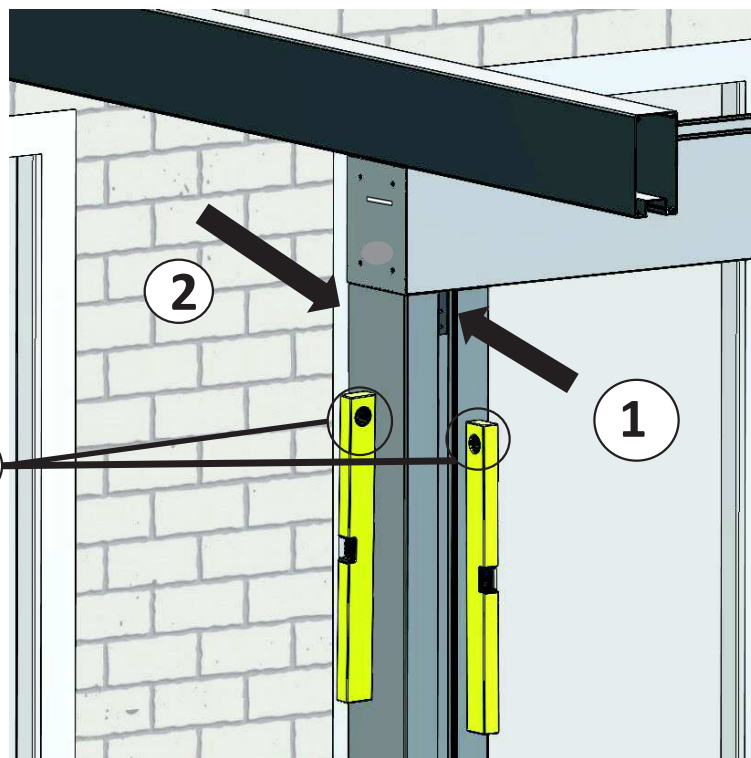
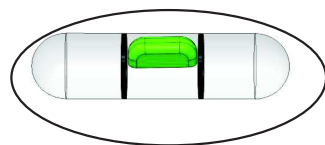
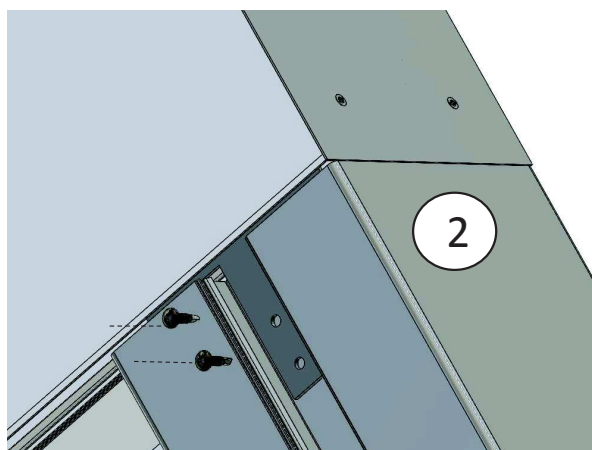
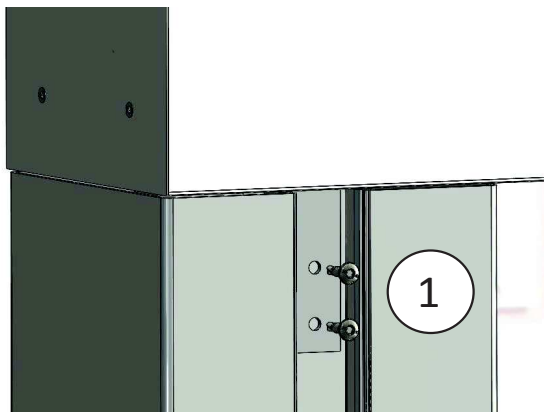
37

2 x



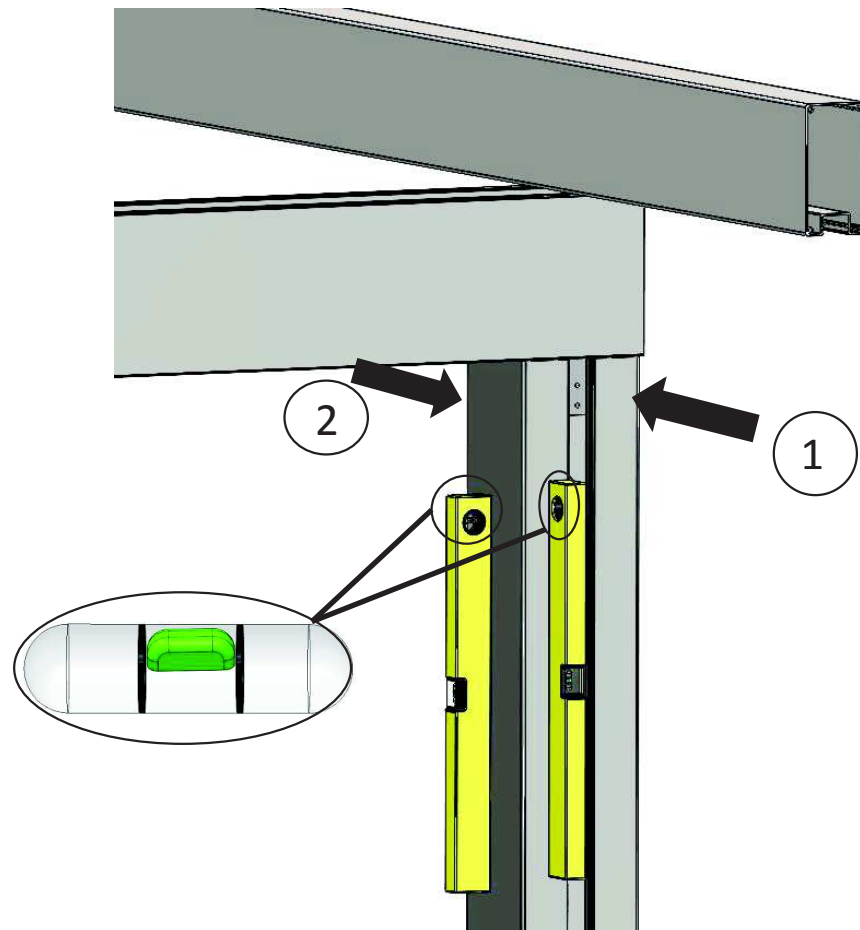
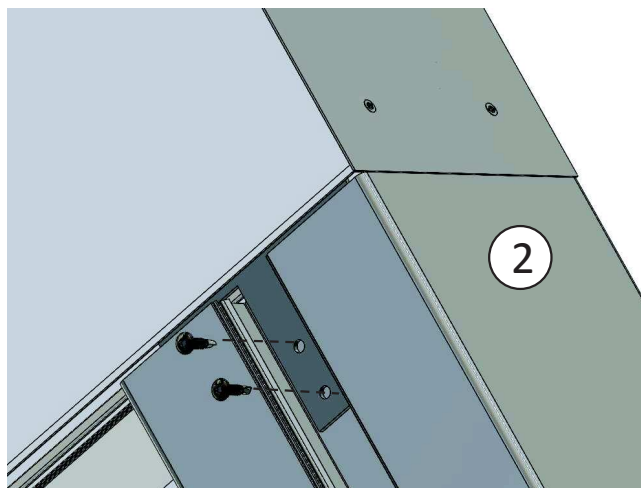
38

4 x



39

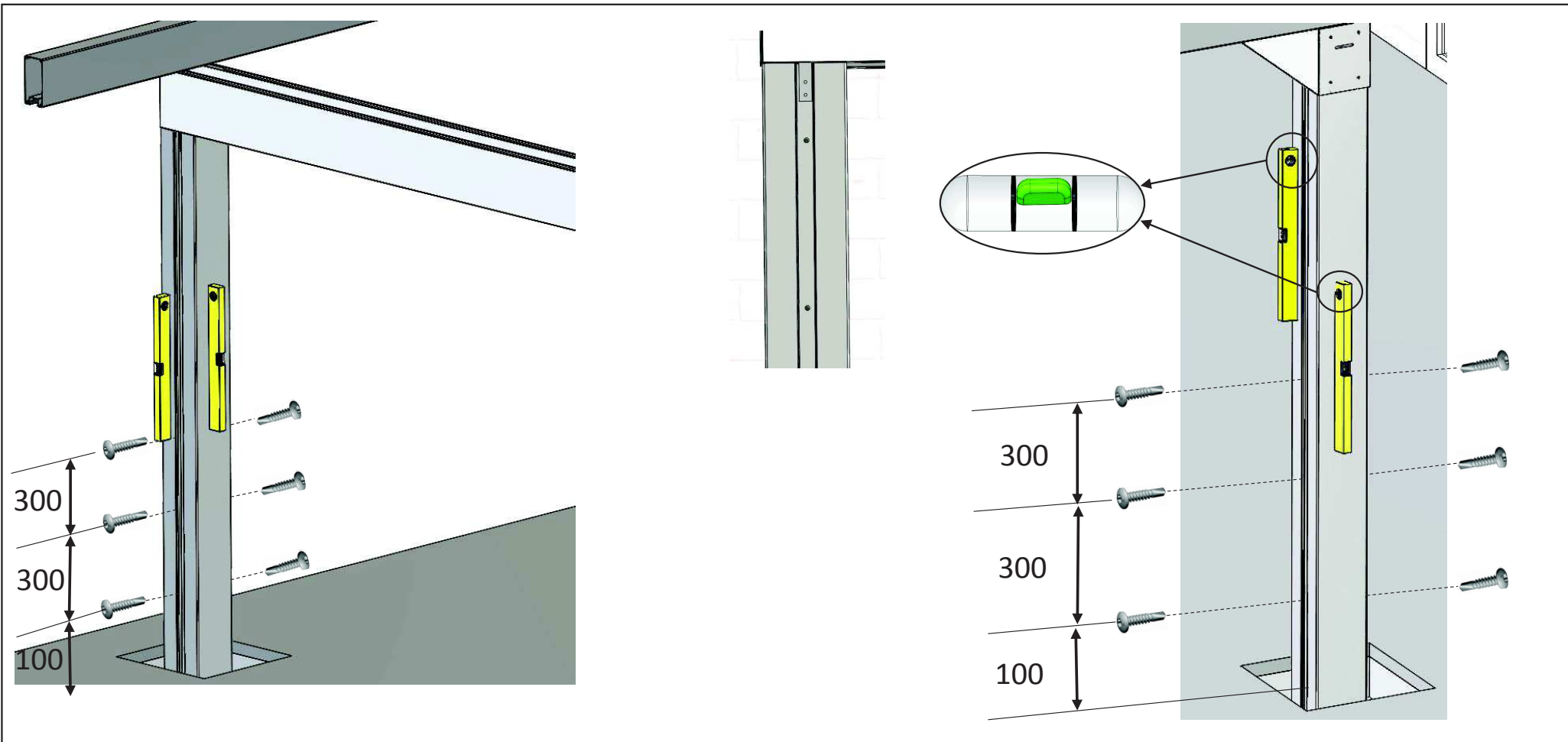
4 x





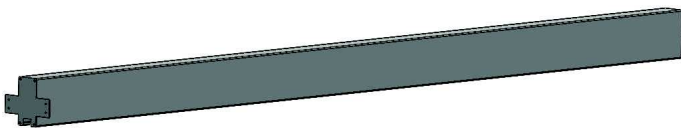
40

12 x

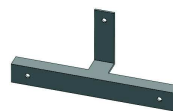


41

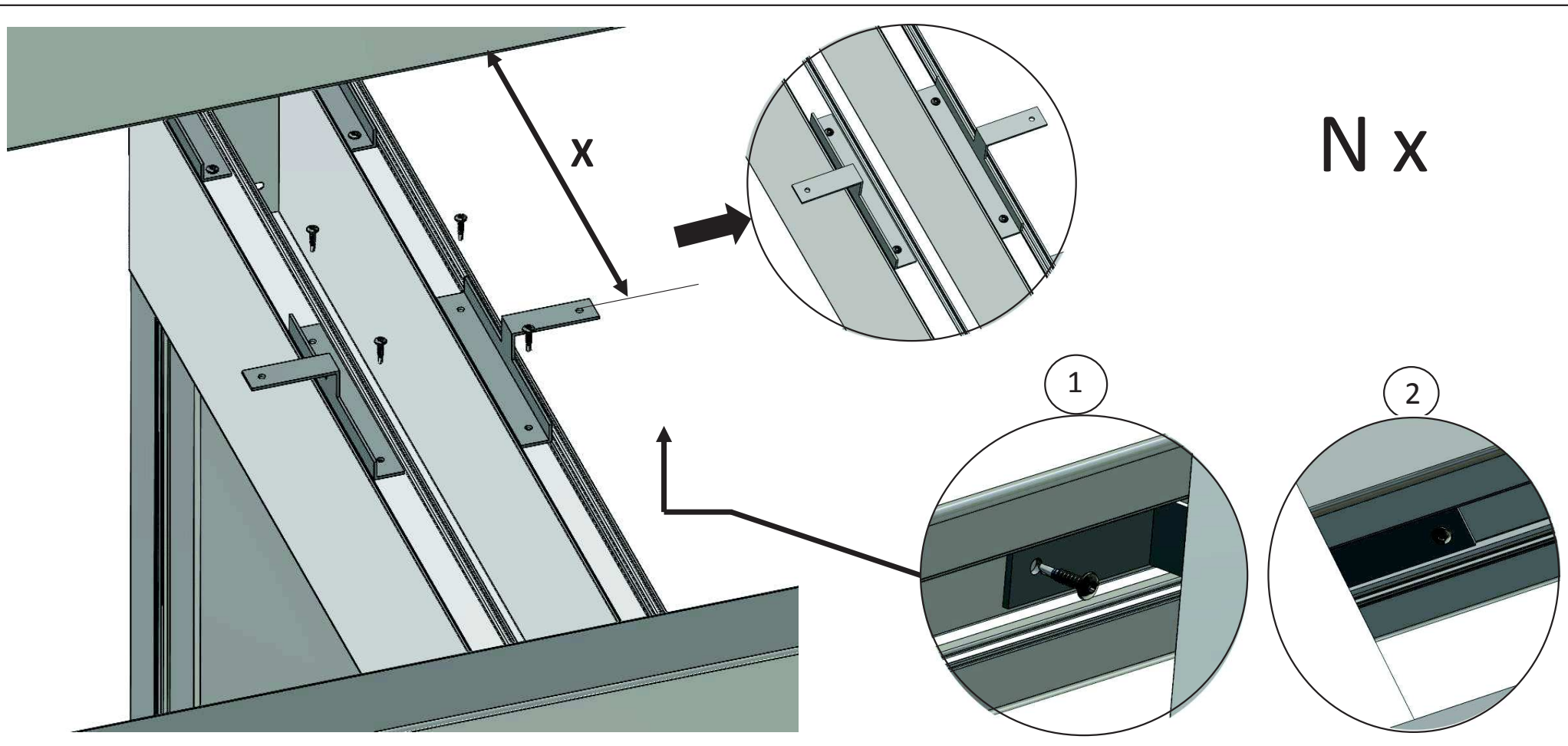
6 x

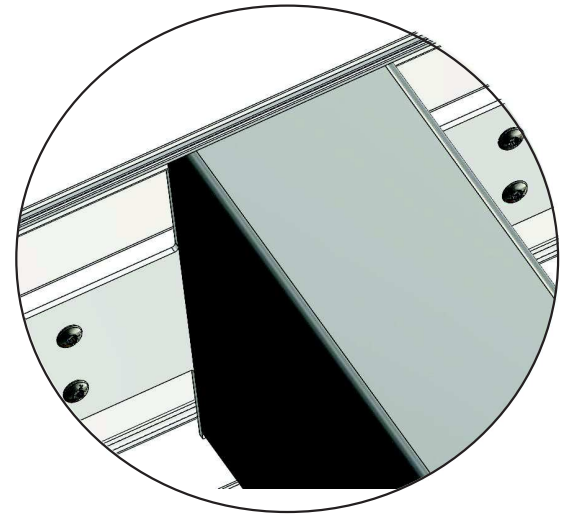
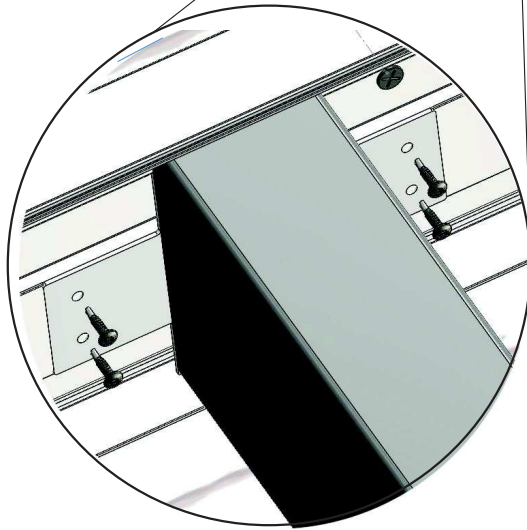
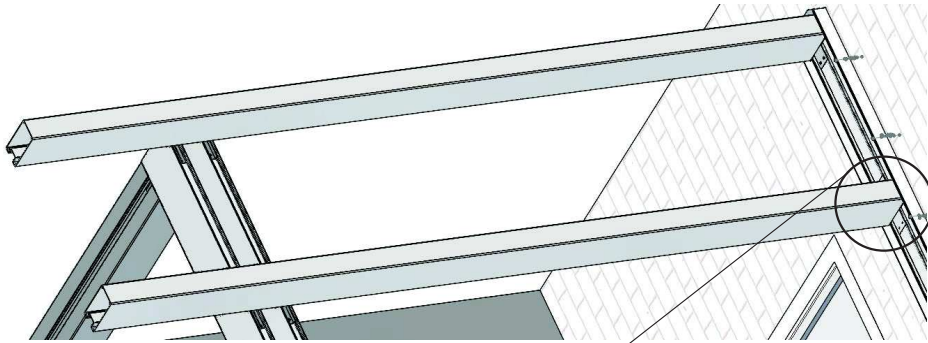


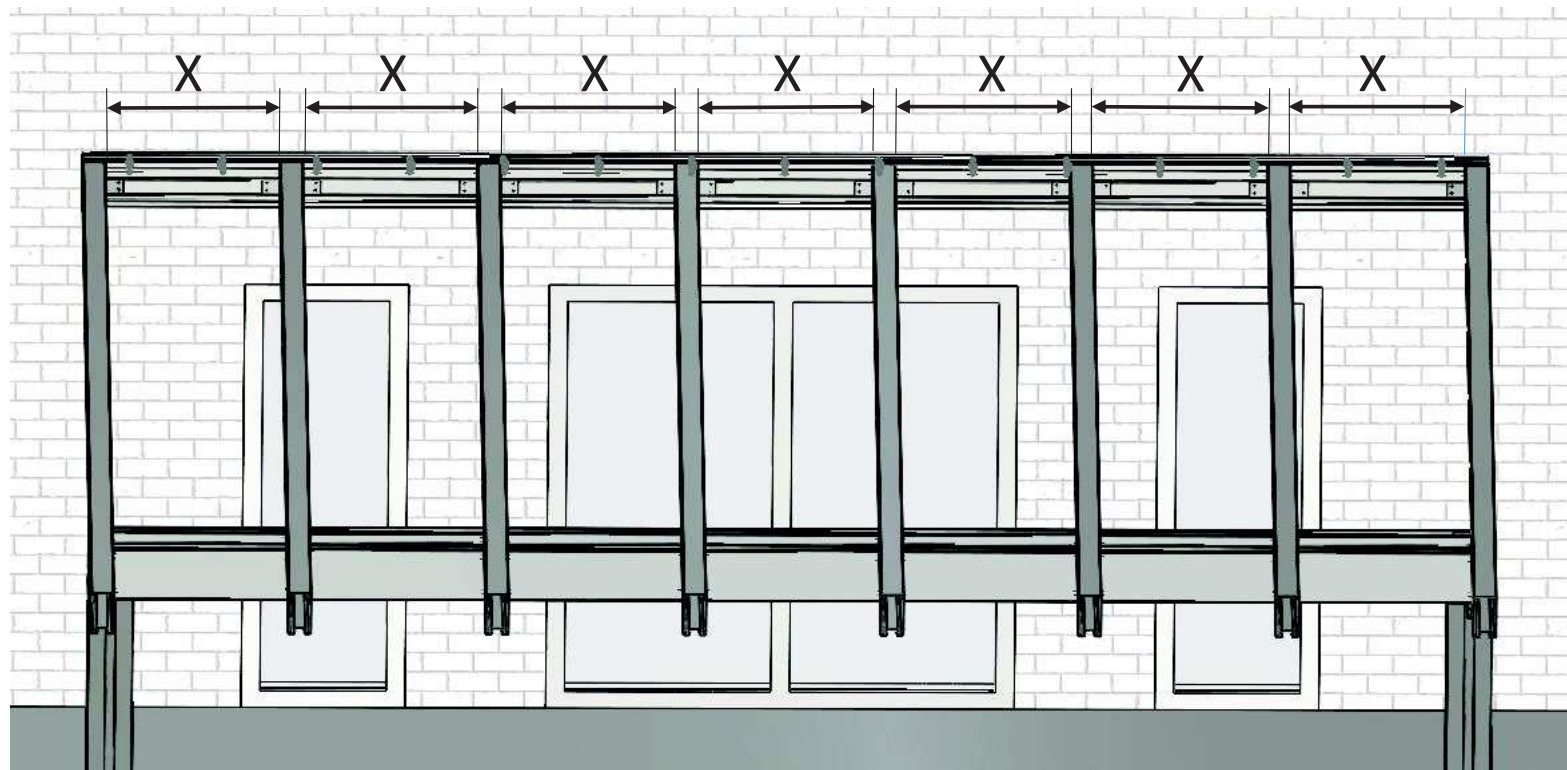
12 x



36 x





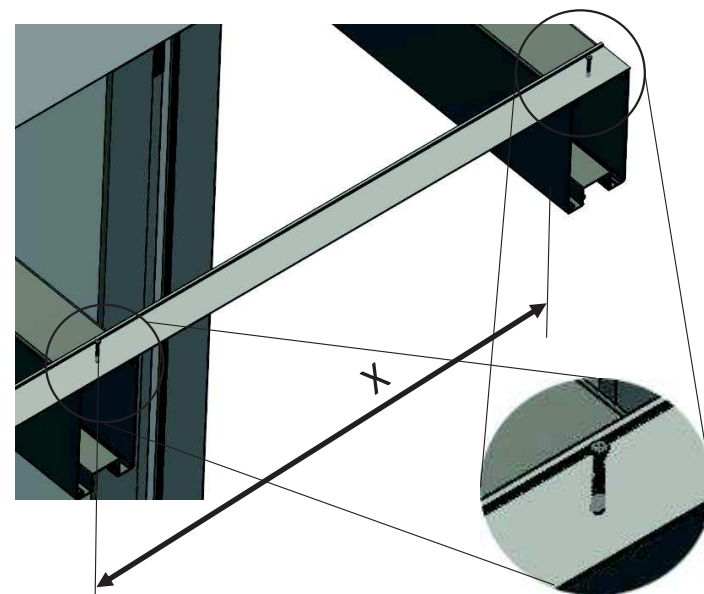
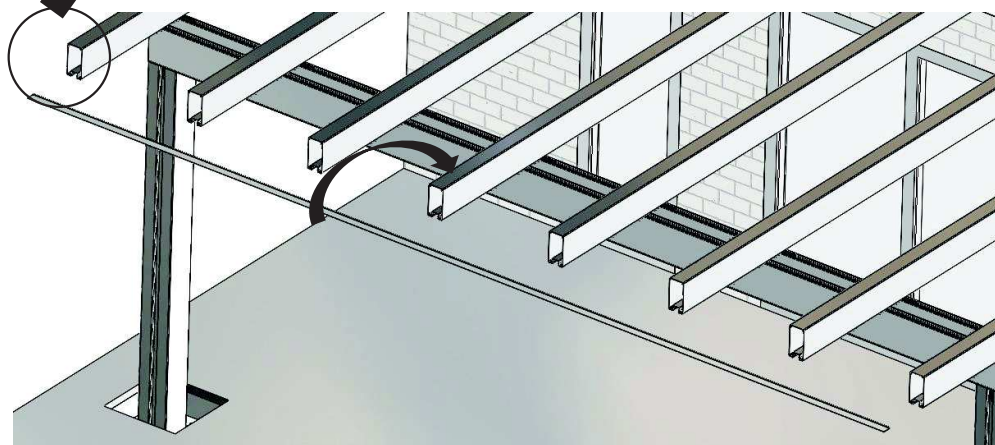
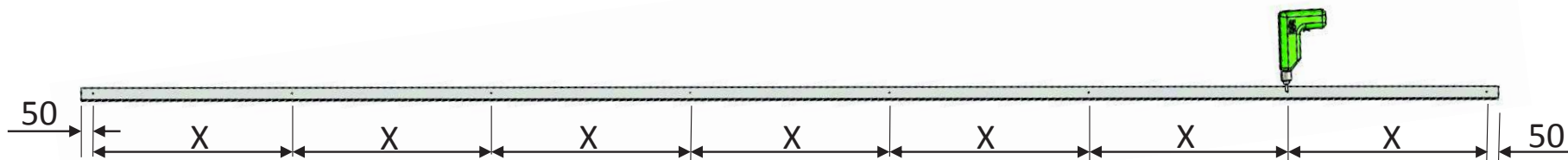


44

1 x AL10008



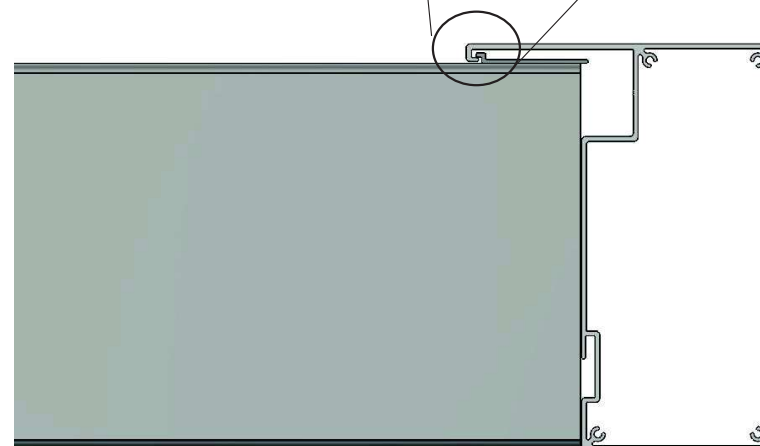
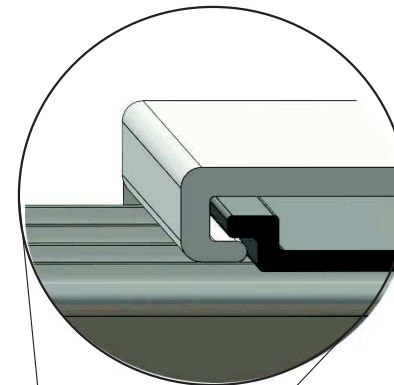
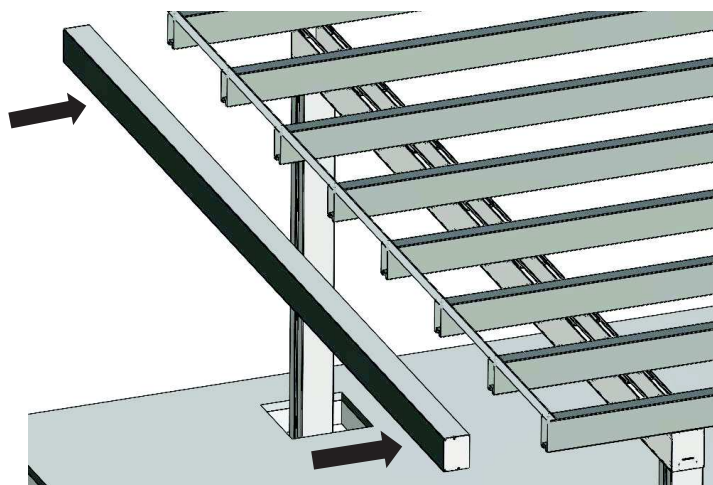
390 SA 4,2 x 32





45

1 x AL 10005

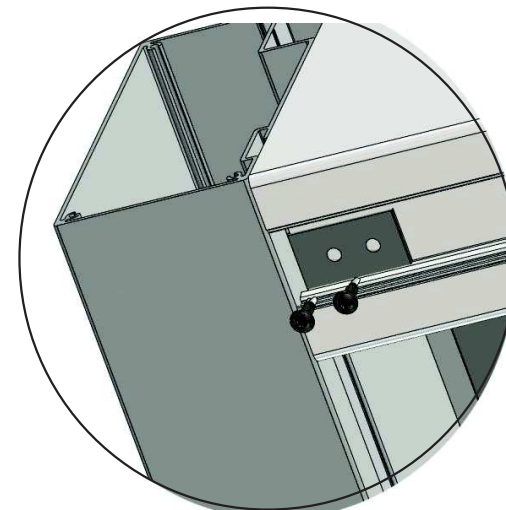
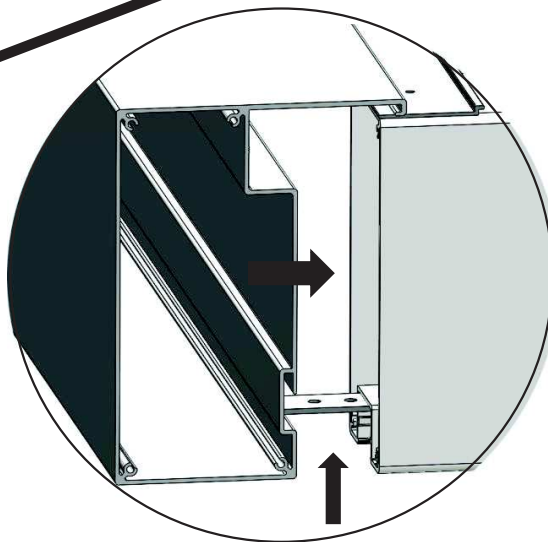
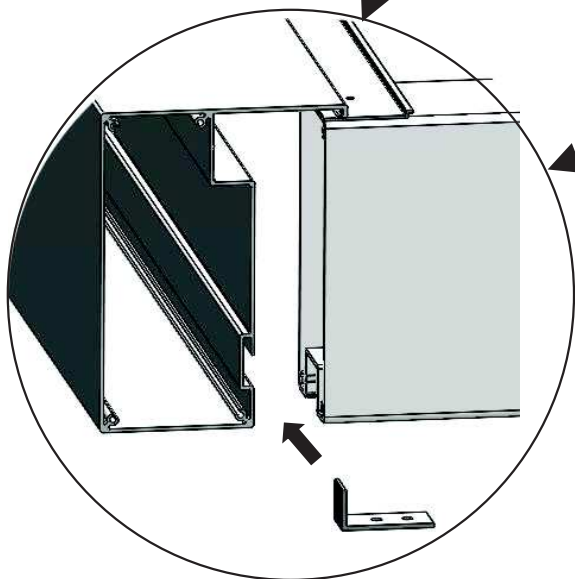


46

4 x



2 x AL10010

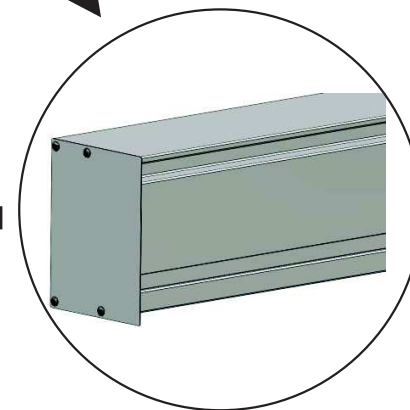
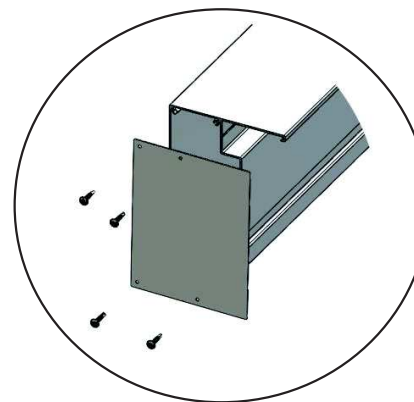
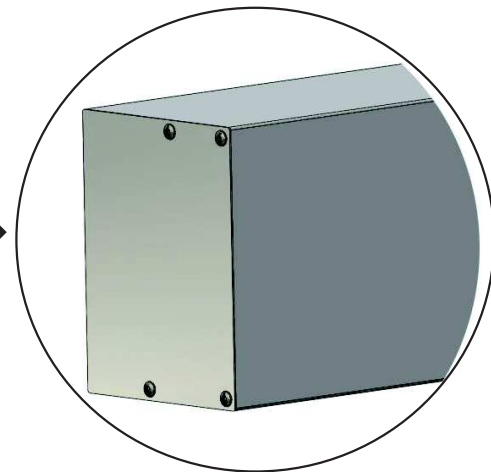
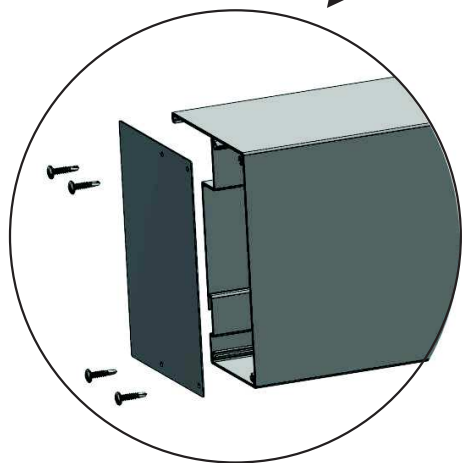


47

8 x

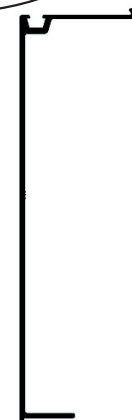
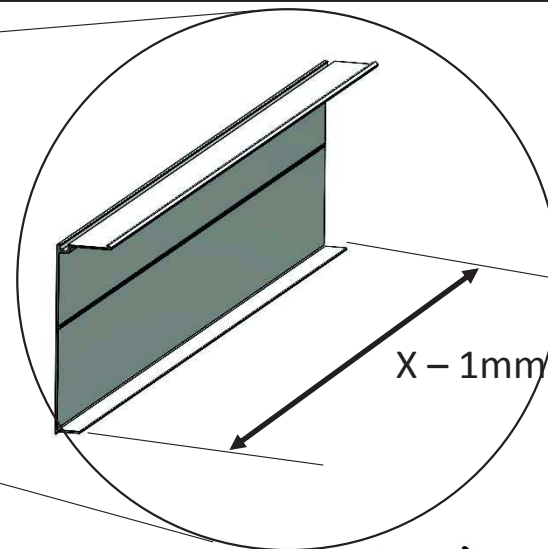
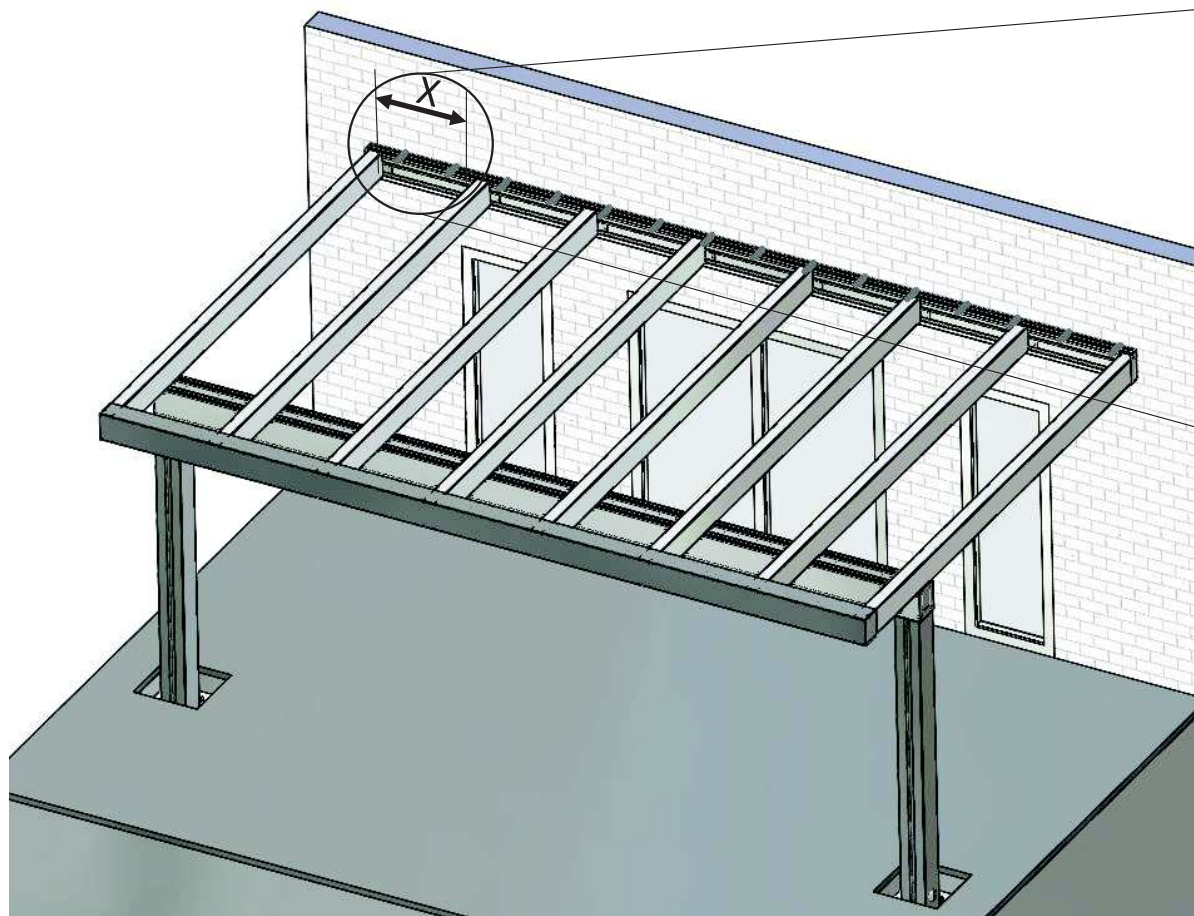


2 x UL-01



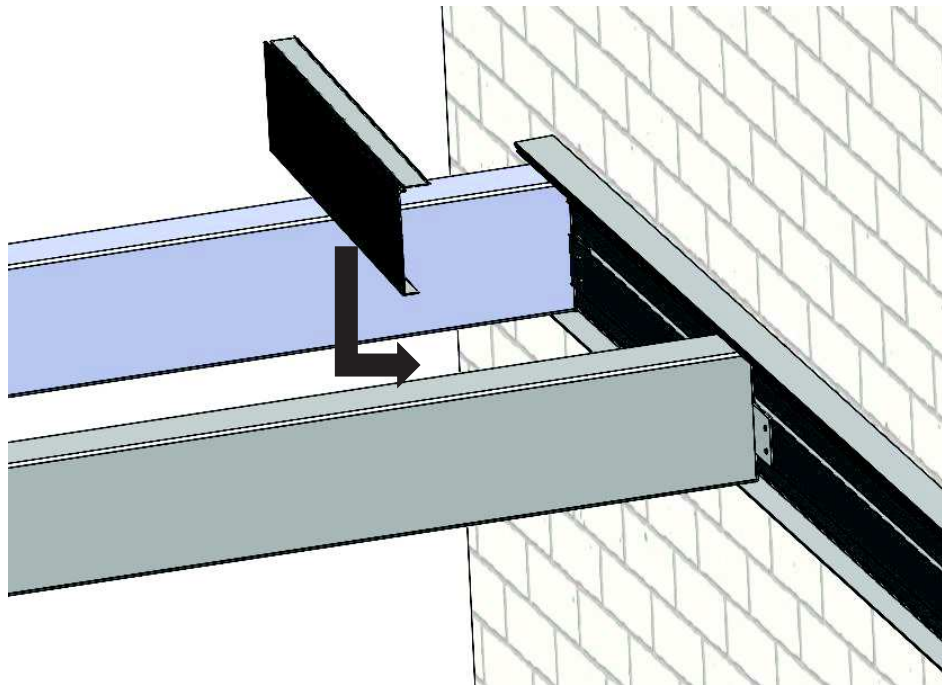
48

AL10004

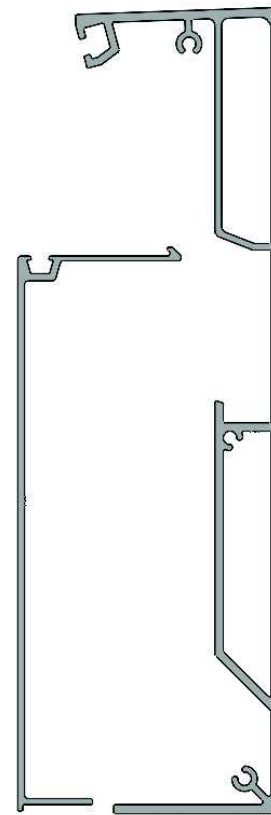


49

N x AL10004



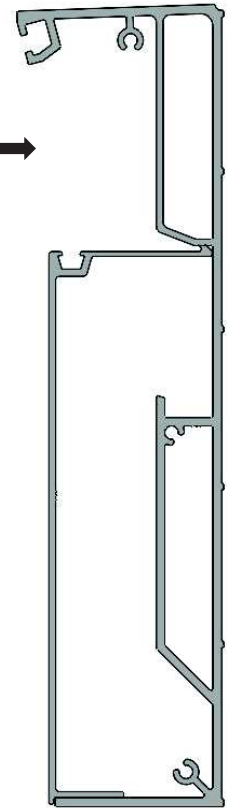
AL10004



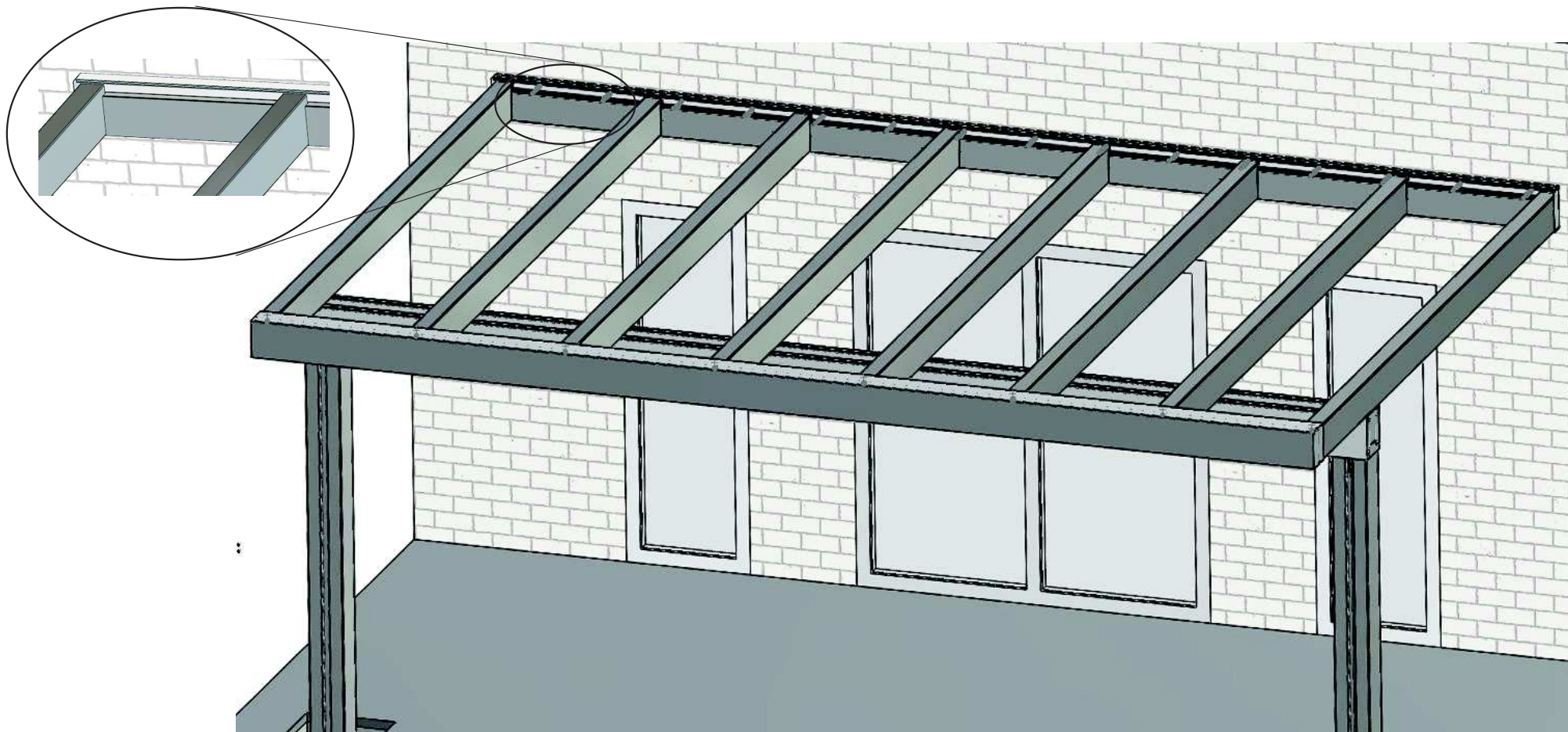
← AL10006 →



AL10004

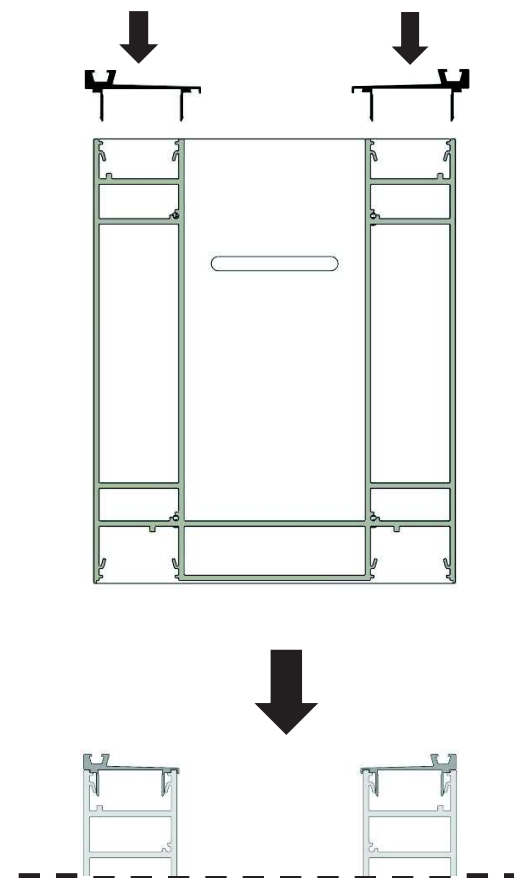
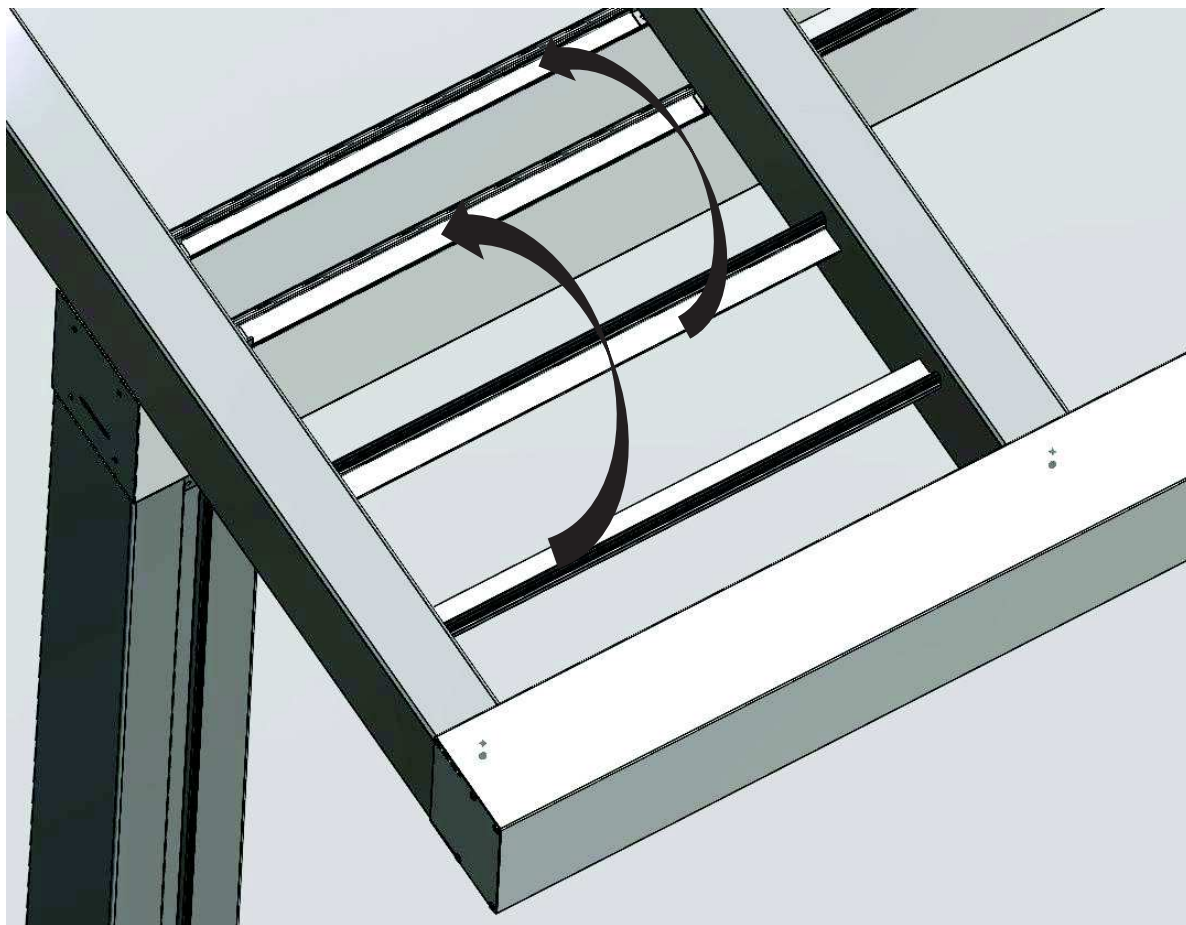
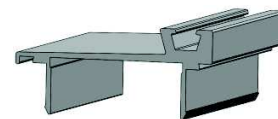
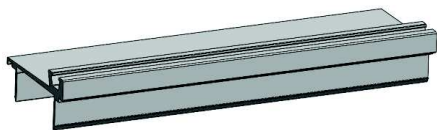






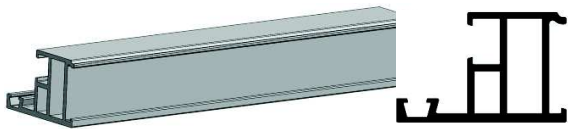
51

14x AL10011



52

2 x AL1012



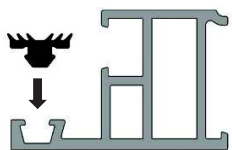
2 x



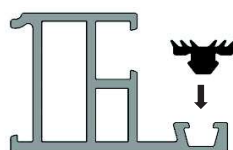
0385 SA 5,5 x 32



R



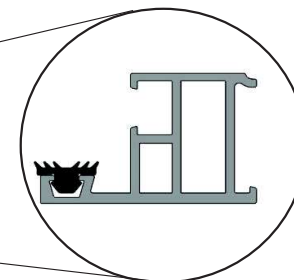
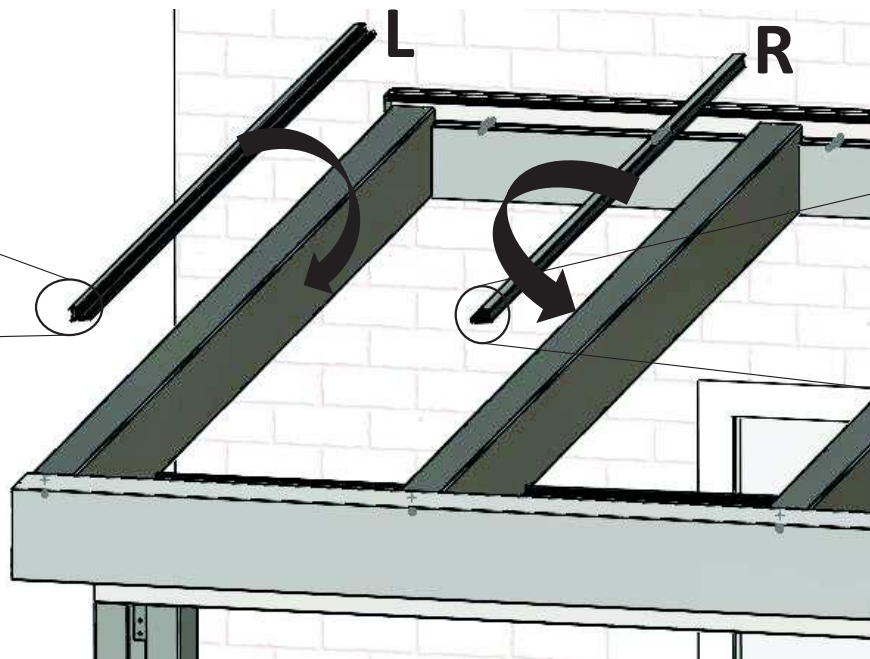
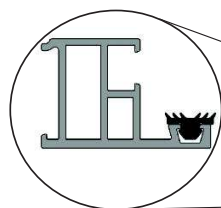
L



R

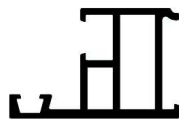
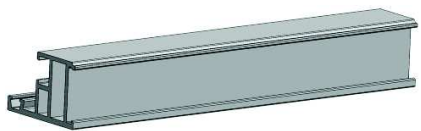


L

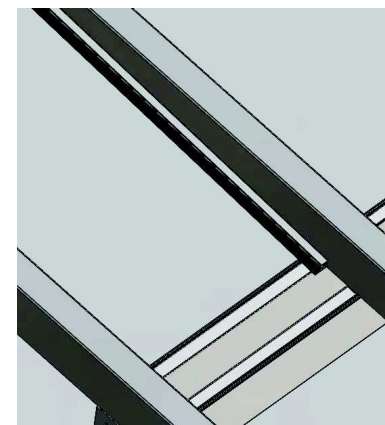


53

2 x AL10012



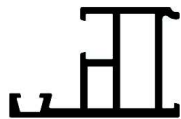
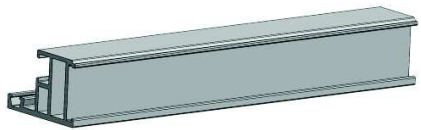
2 x



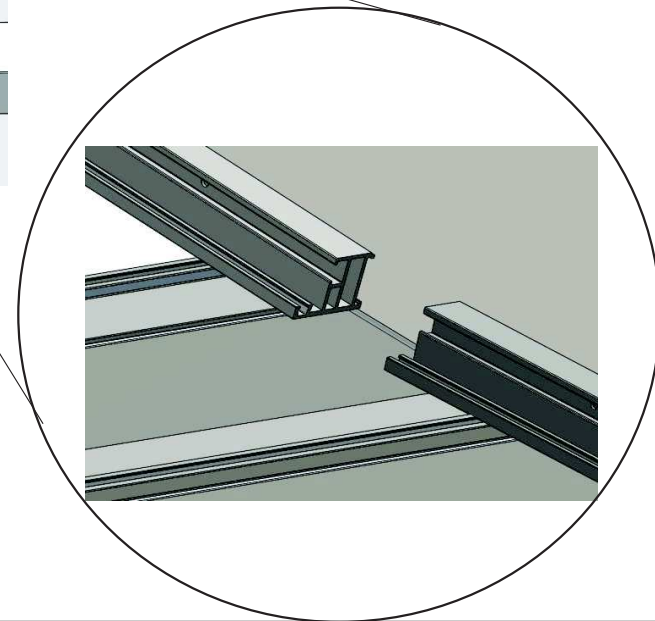
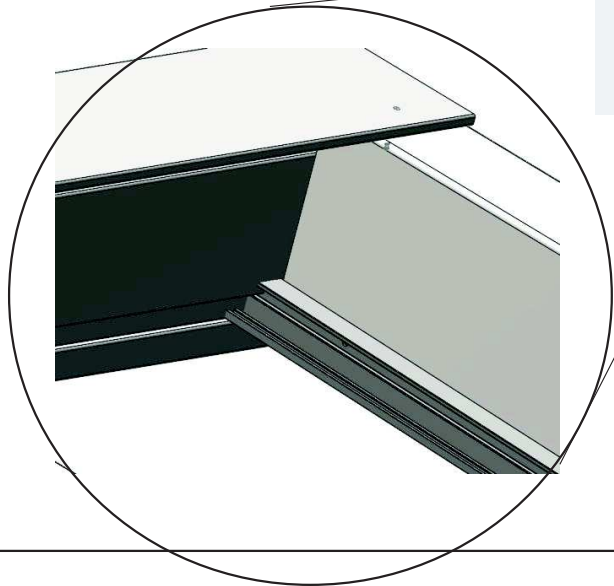
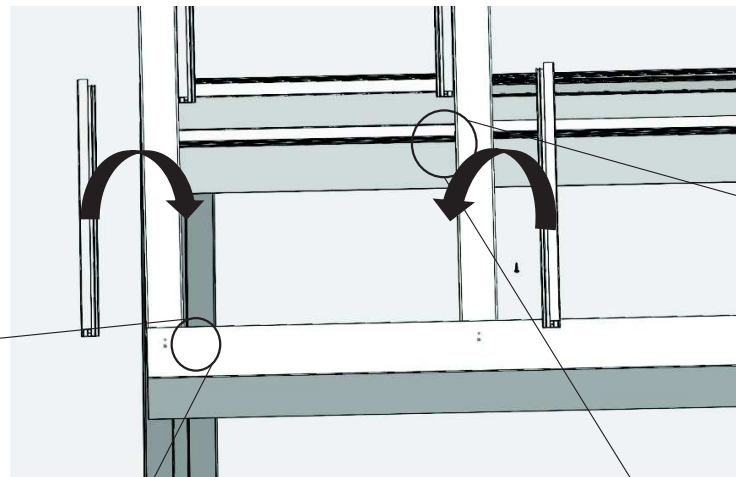


54

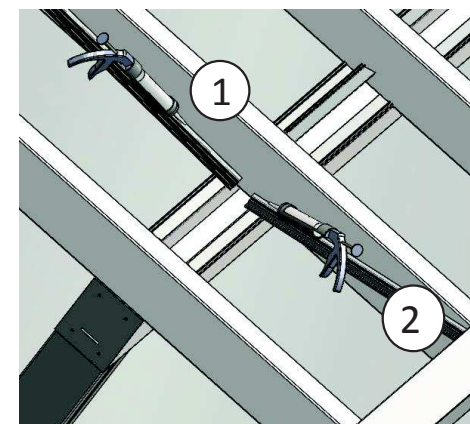
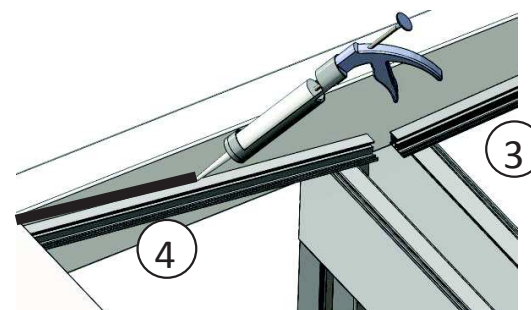
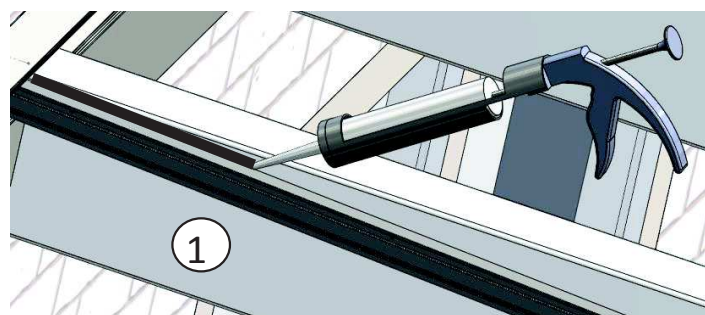
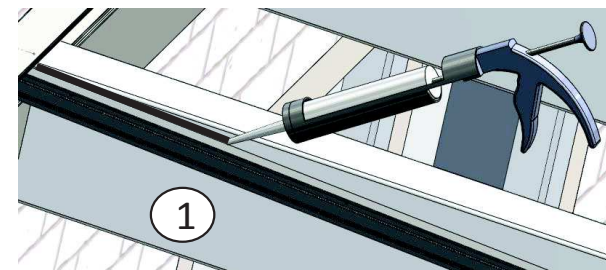
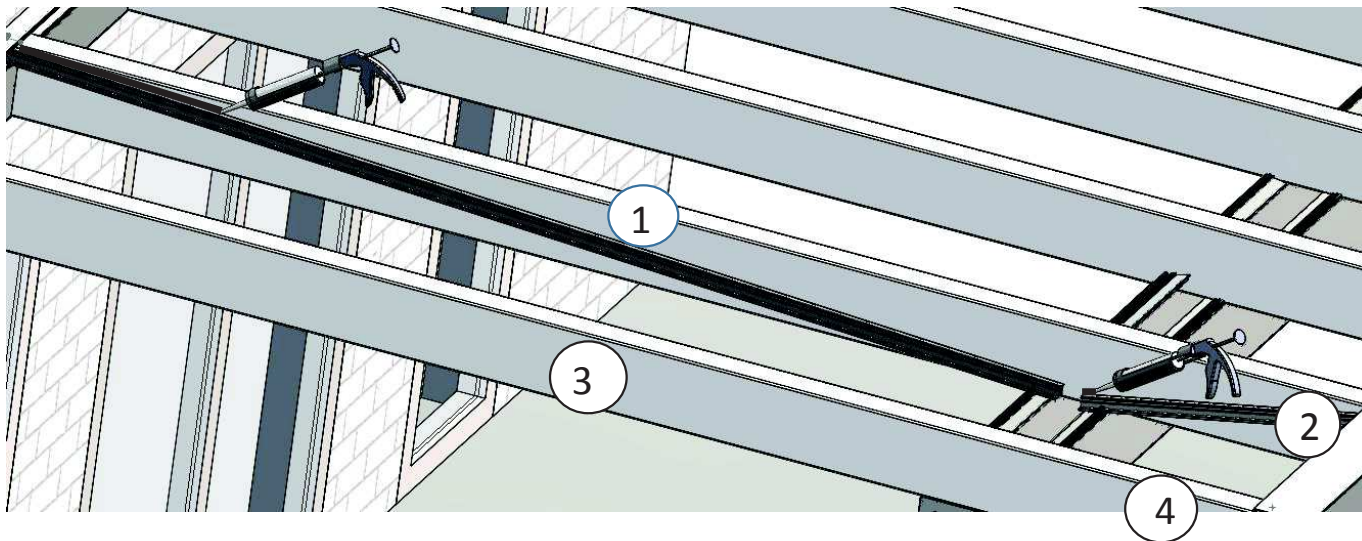
2 x AL1012



2 x

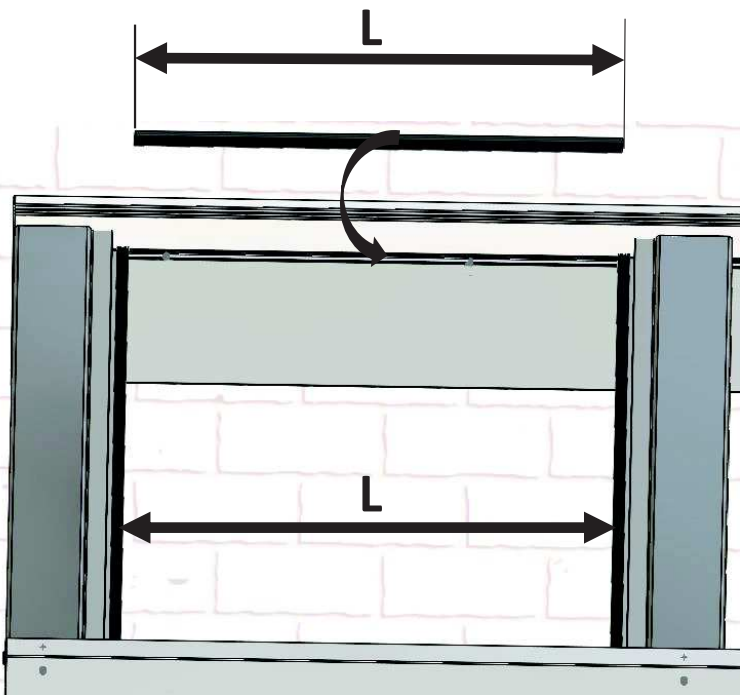






56

1 x



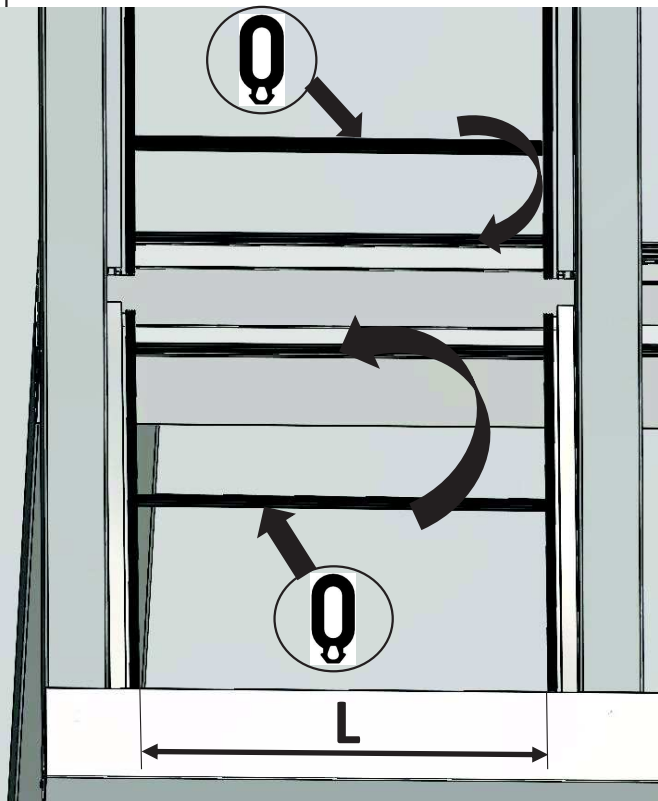
57

2 x

L

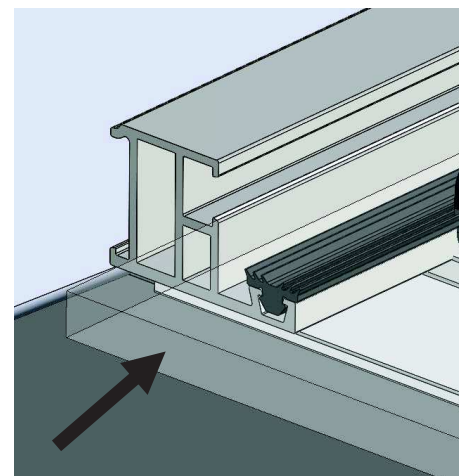
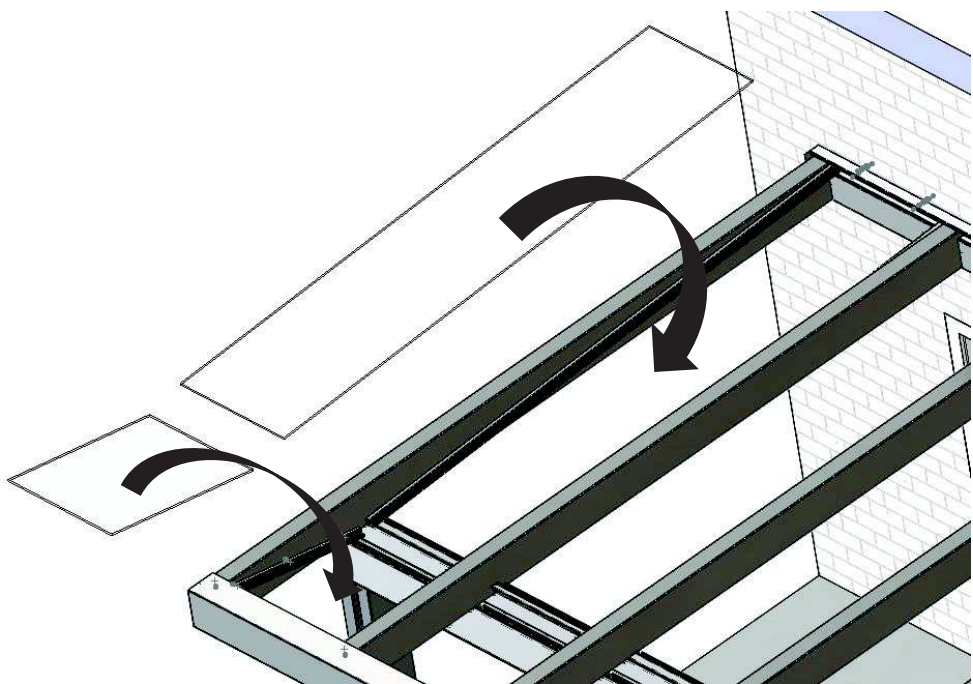


1



2

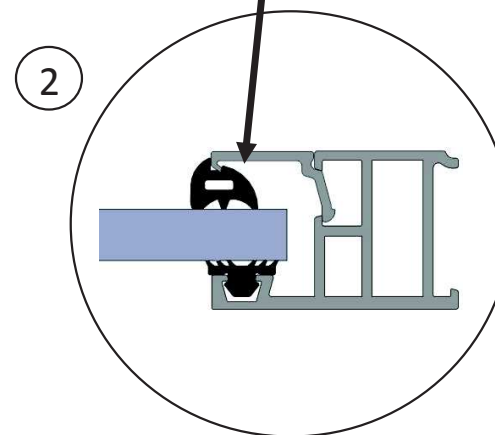
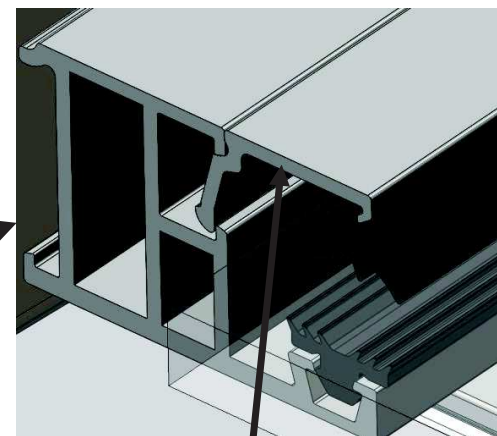
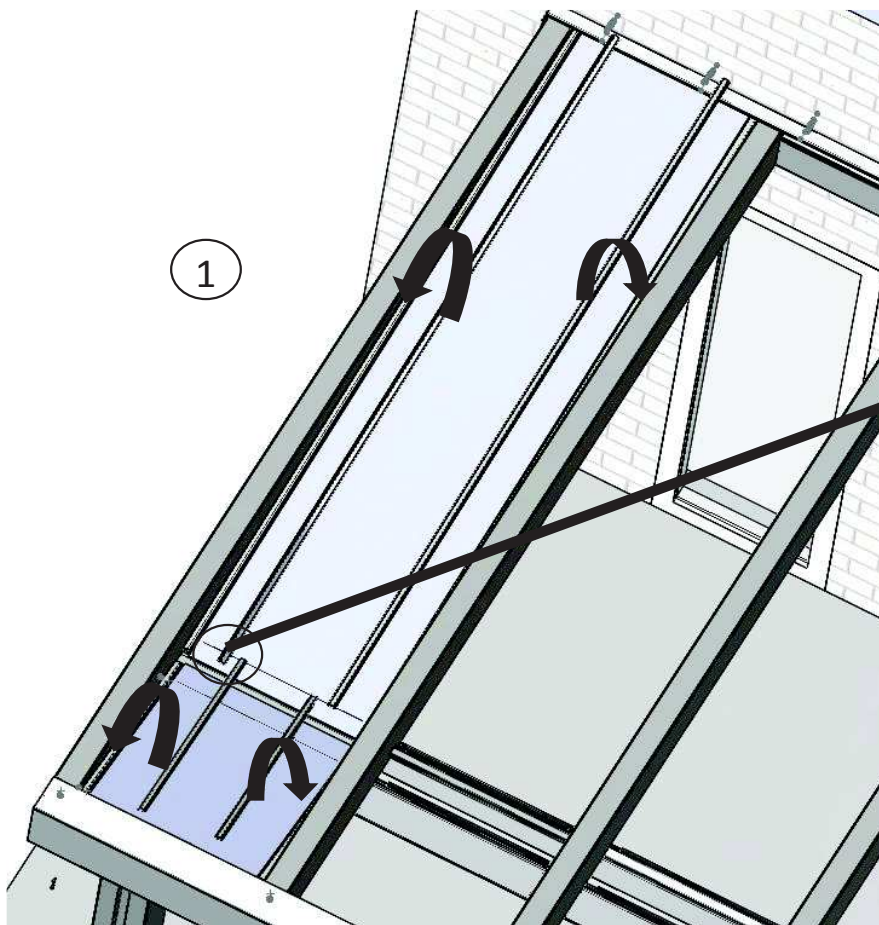




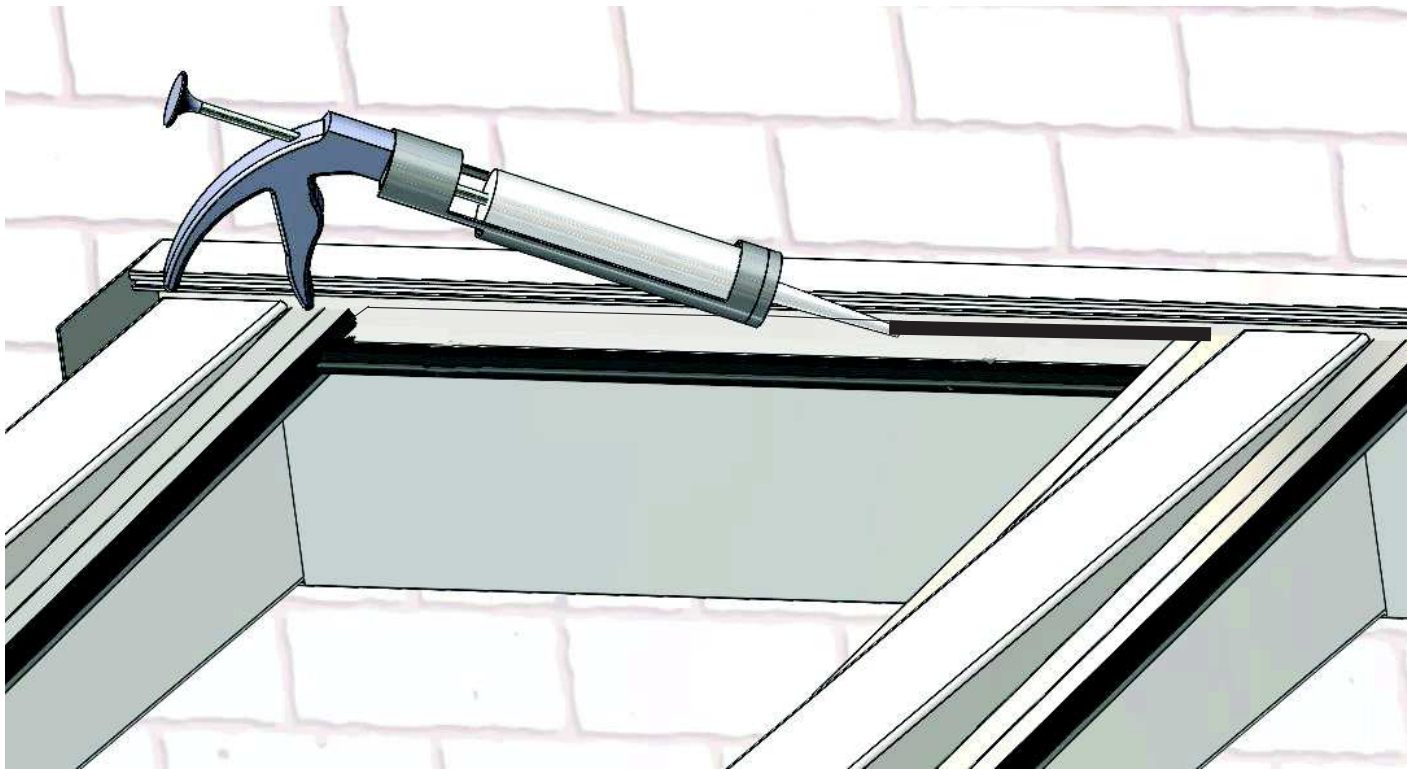


59

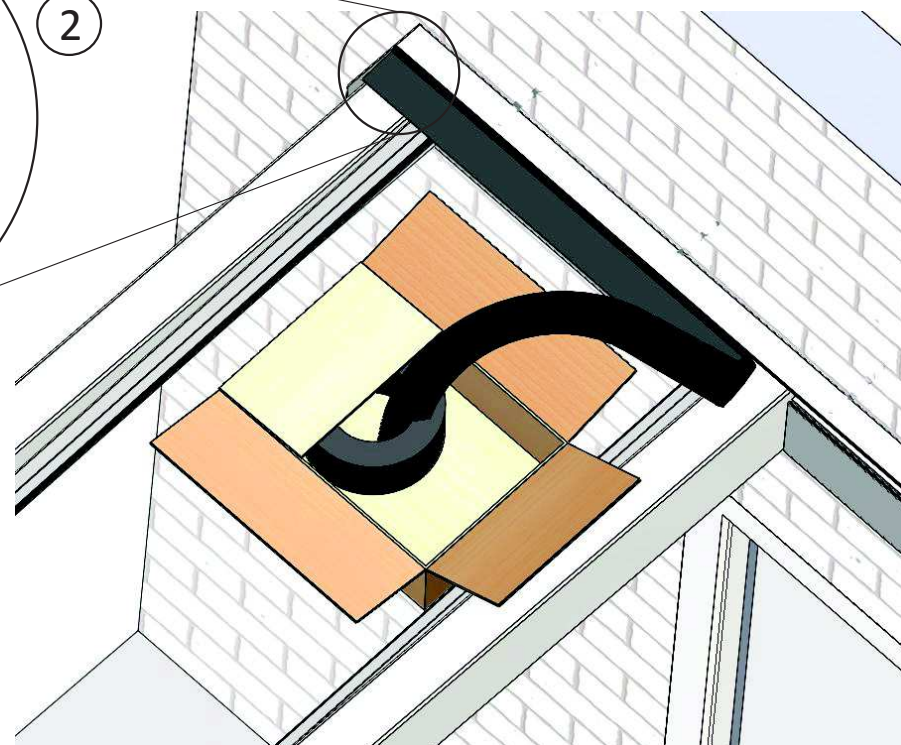
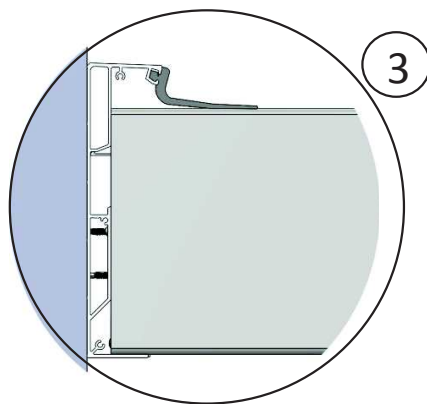
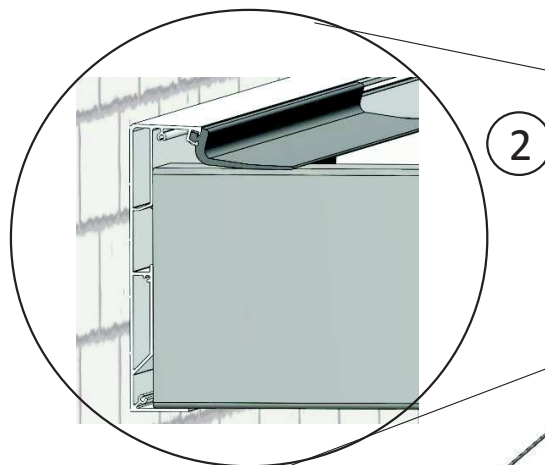
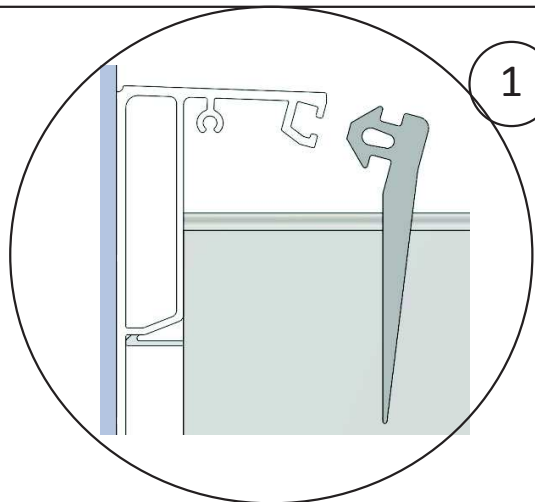
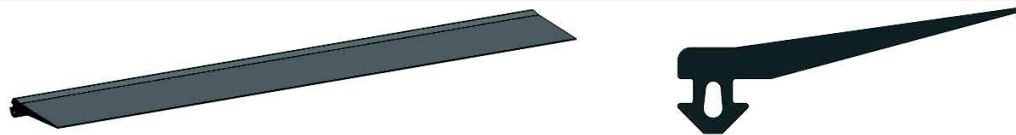
AL10013



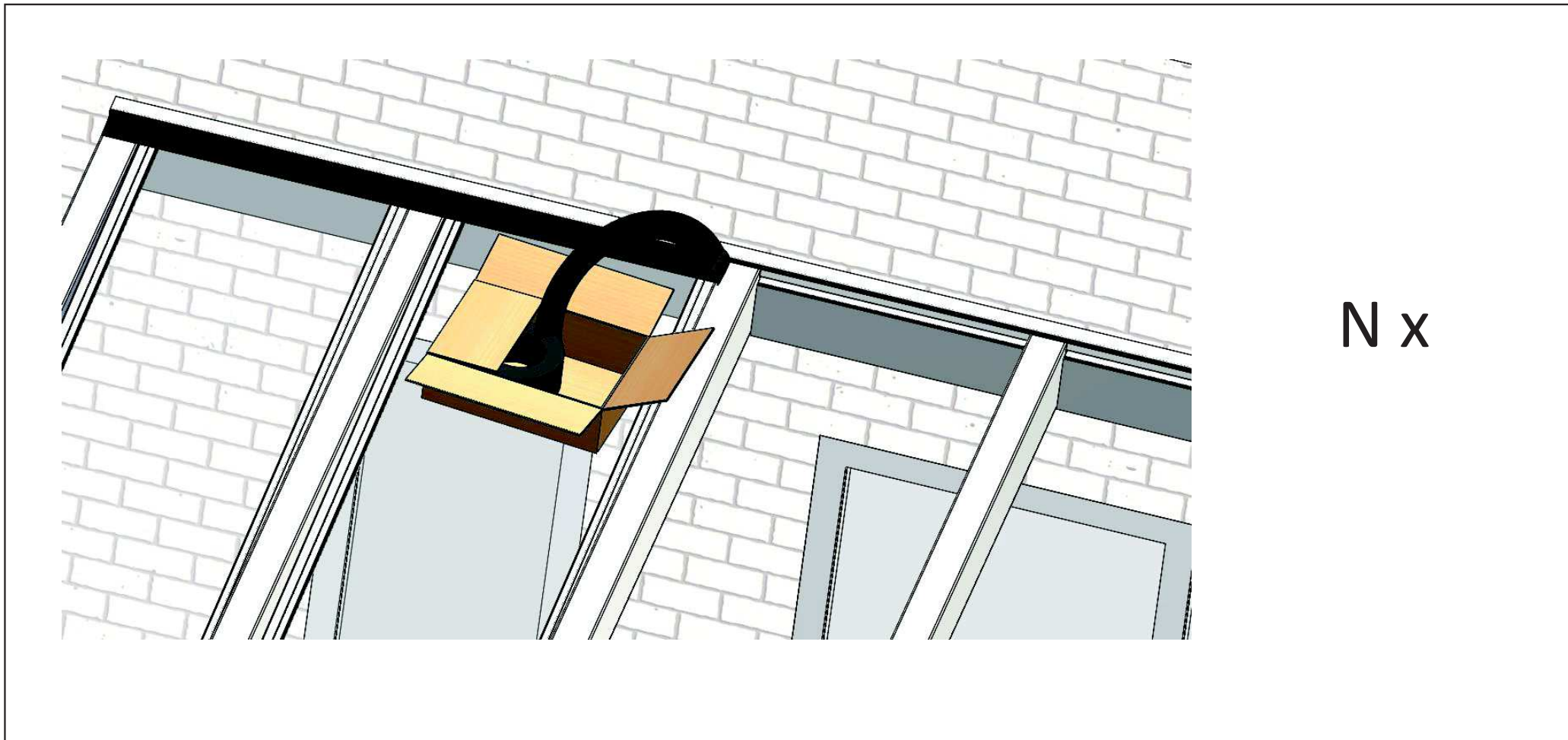
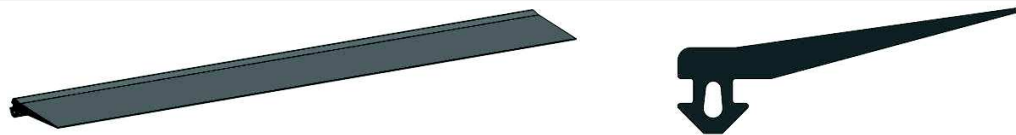




61



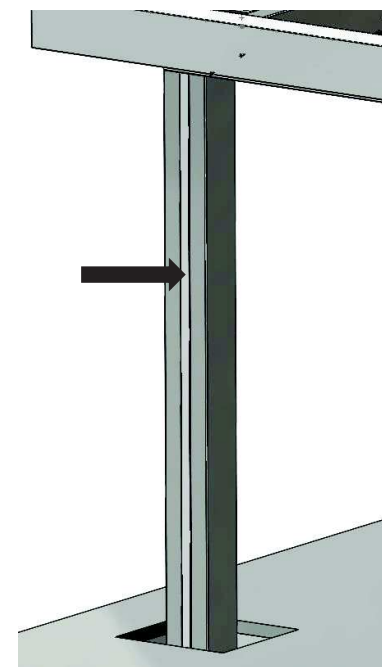
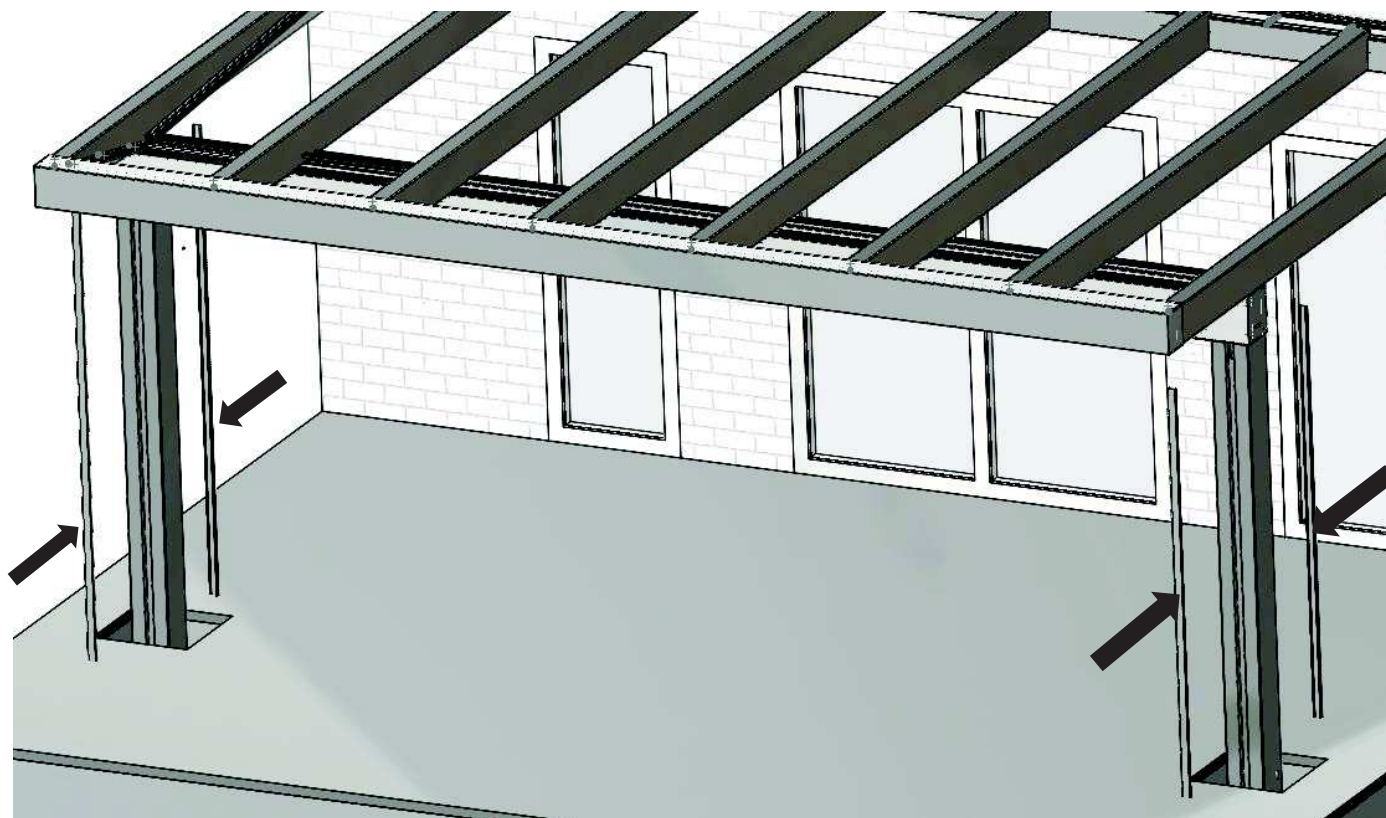
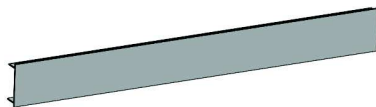
62



N x

63

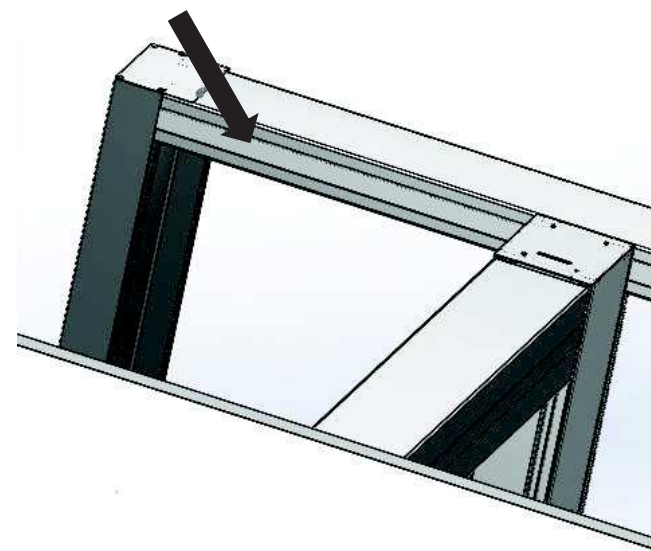
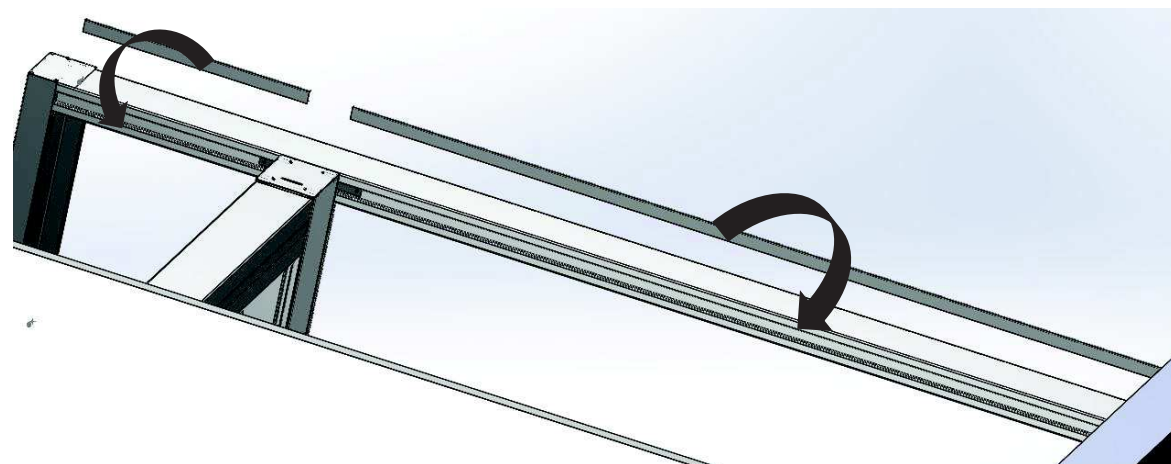
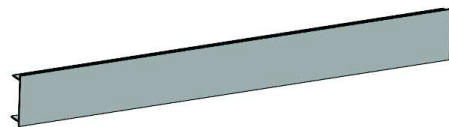
4 x AL10007





64

N x AL10007

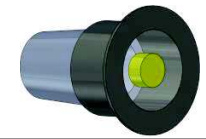
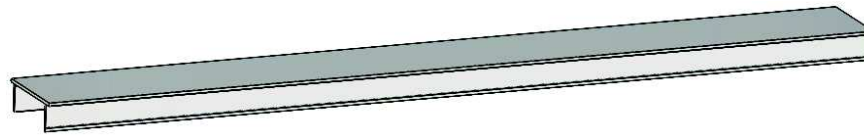


N x

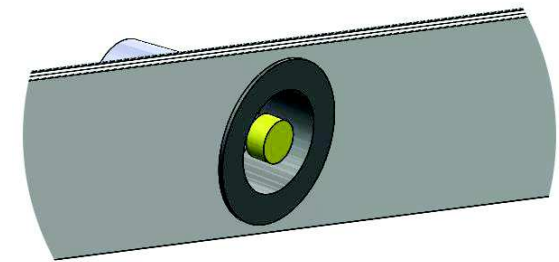
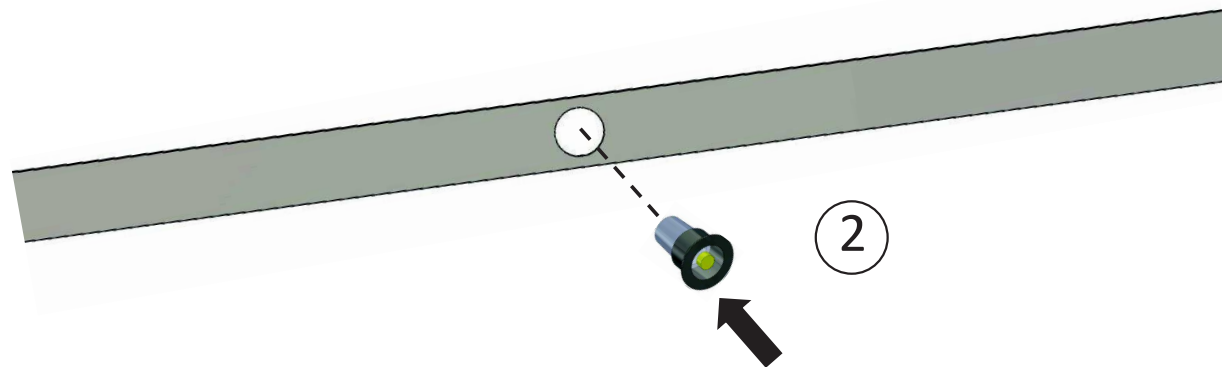
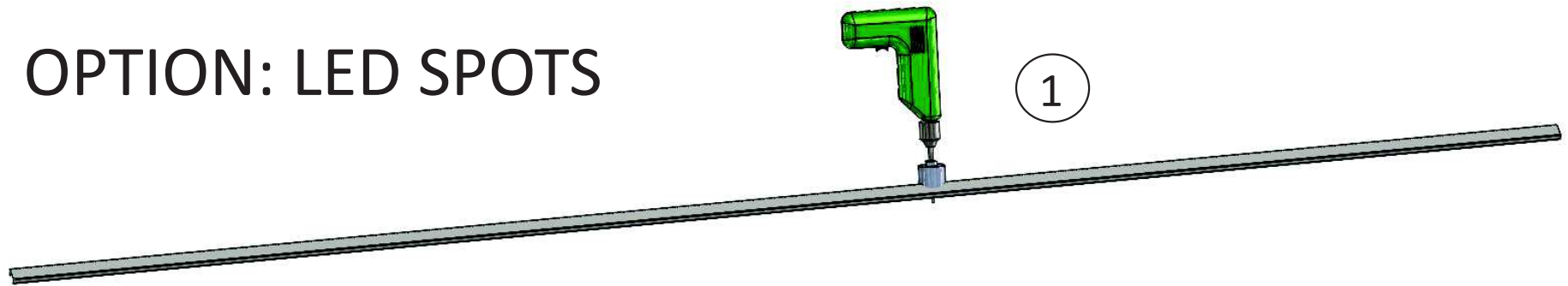


65

N x AL10007



## OPTION: LED SPOTS



## OPTION: LED SPOTS

