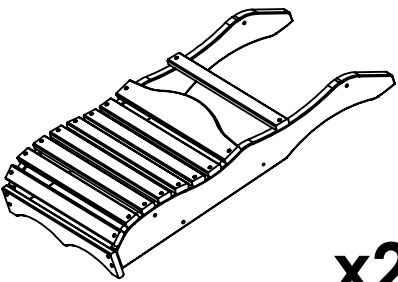
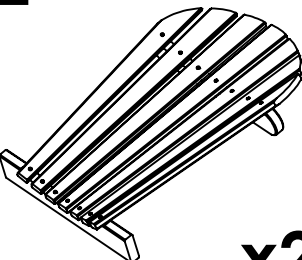
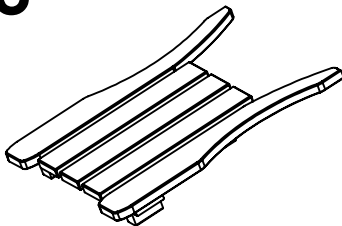
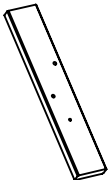
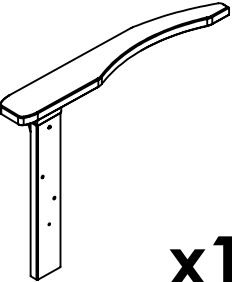
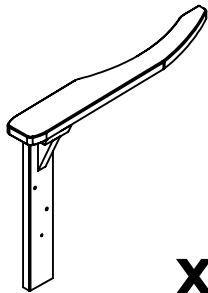
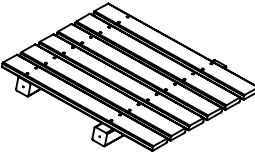
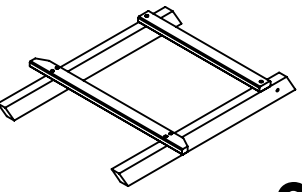
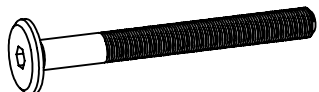
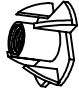
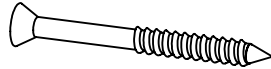
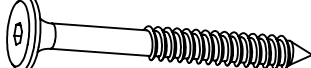
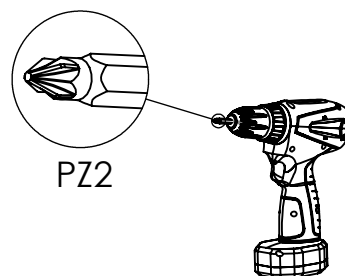
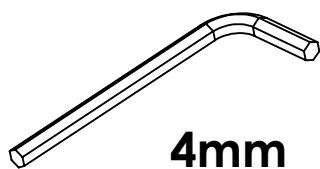
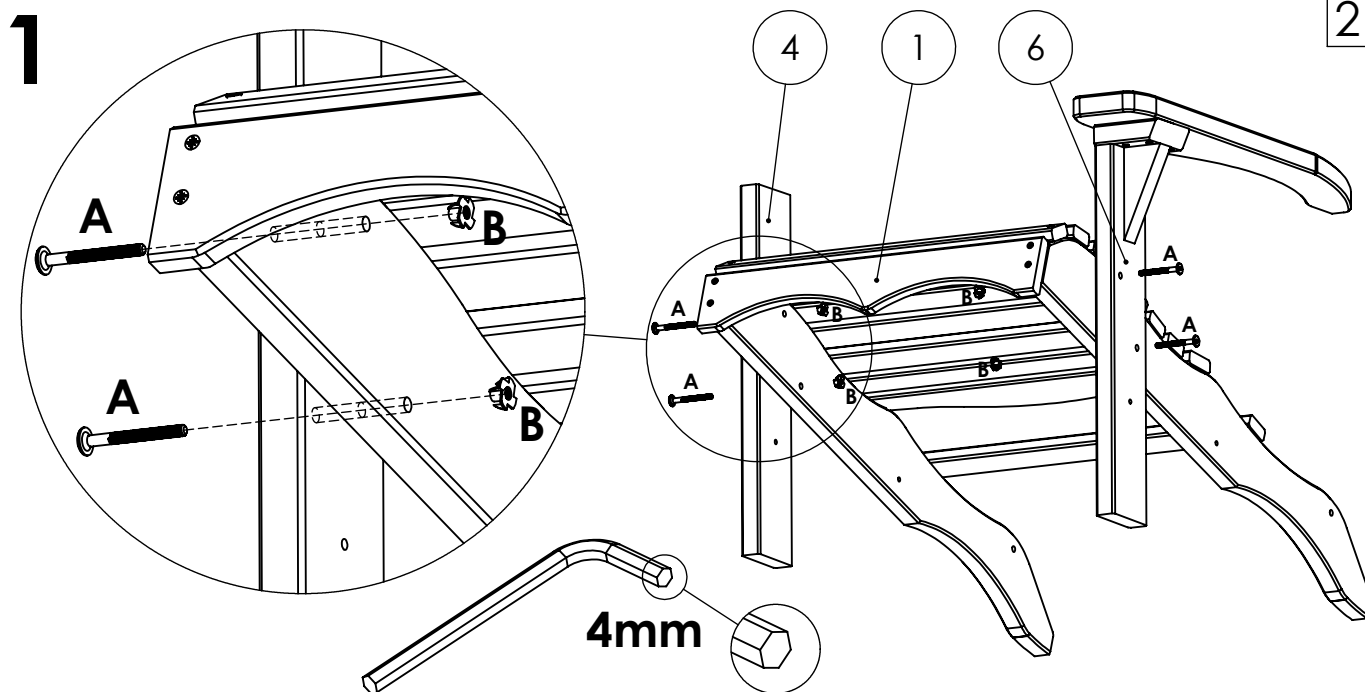
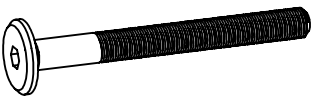



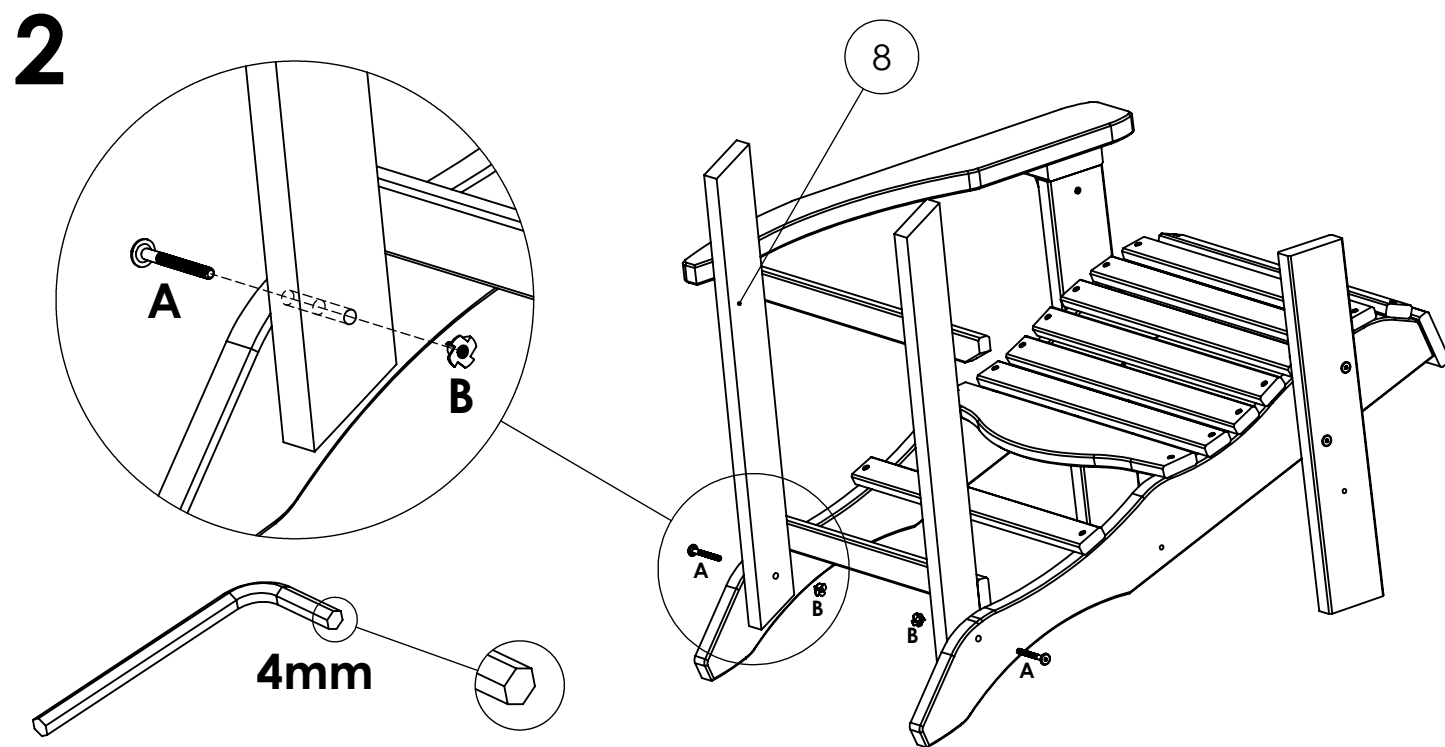
<p>1</p>  <p>x2</p>	<p>2</p>  <p>x2</p>	<p>3</p>  <p>x1</p>	<p>4</p>  <p>x2</p>
<p>5</p>  <p>x1</p>	<p>6</p>  <p>x1</p>	<p>7</p>  <p>x1</p>	<p>8</p>  <p>x2</p>

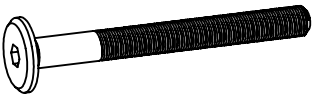

<p>A</p>		<p>M6x60</p>	<p>x12</p>
<p>B</p>		<p>M6</p>	<p>x12</p>
<p>C</p>		<p>4x50</p>	<p>x18</p>
<p>D</p>		<p>6x60</p>	<p>x4</p>

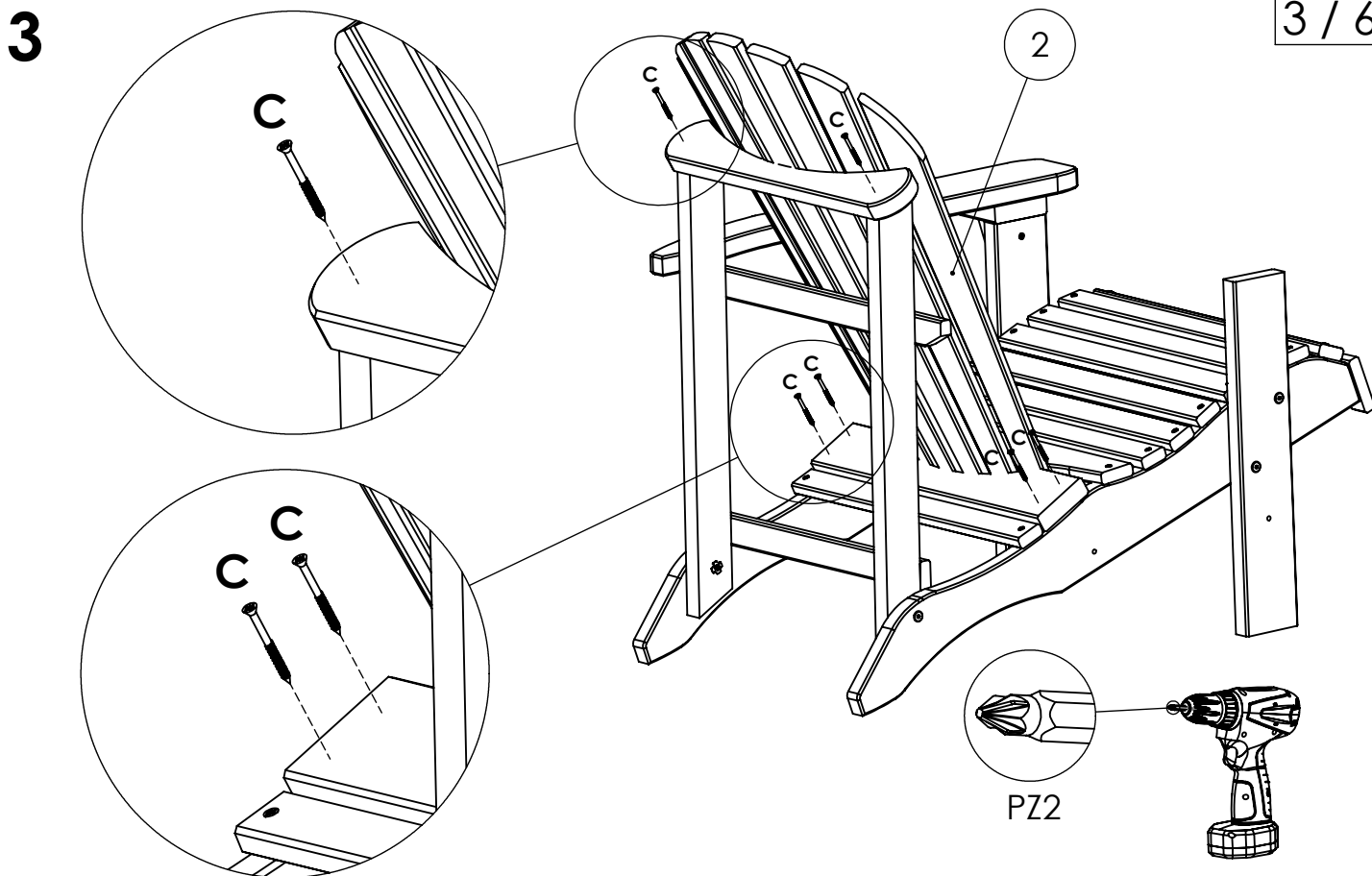




A		M6x60	x4
B		M6	x4

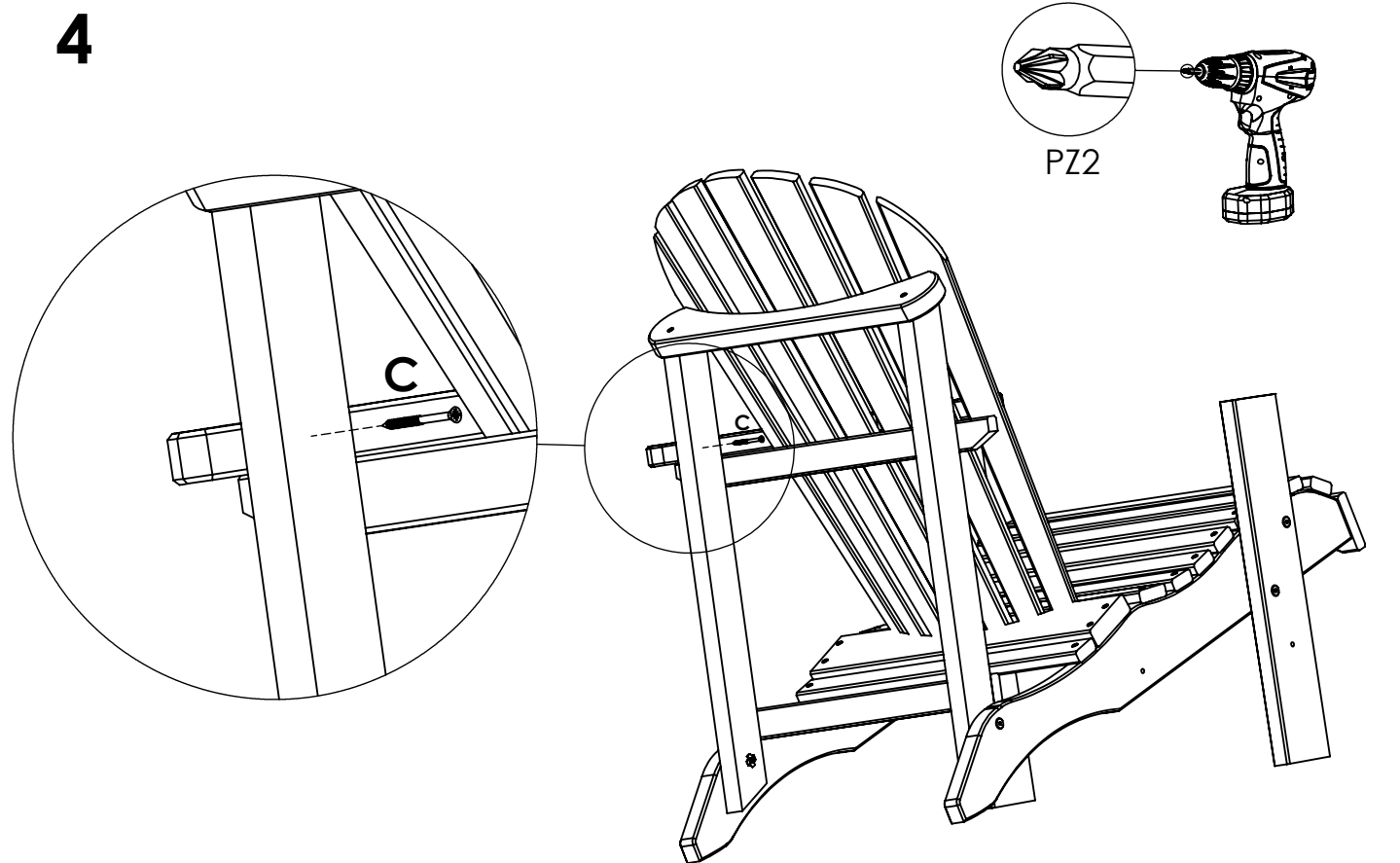


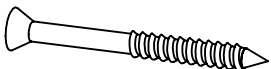
A		M6x60	x2
B		M6	x2

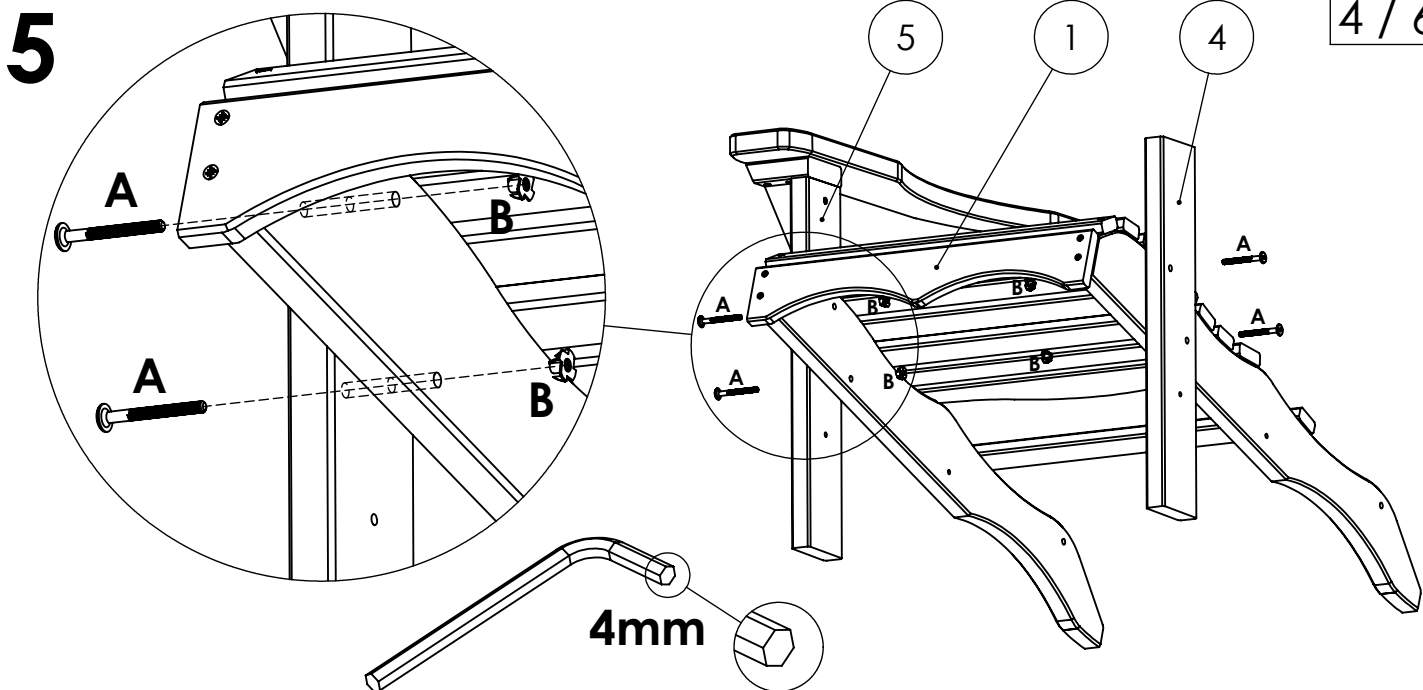



C		4x50	x6
----------	--	-------------	-----------

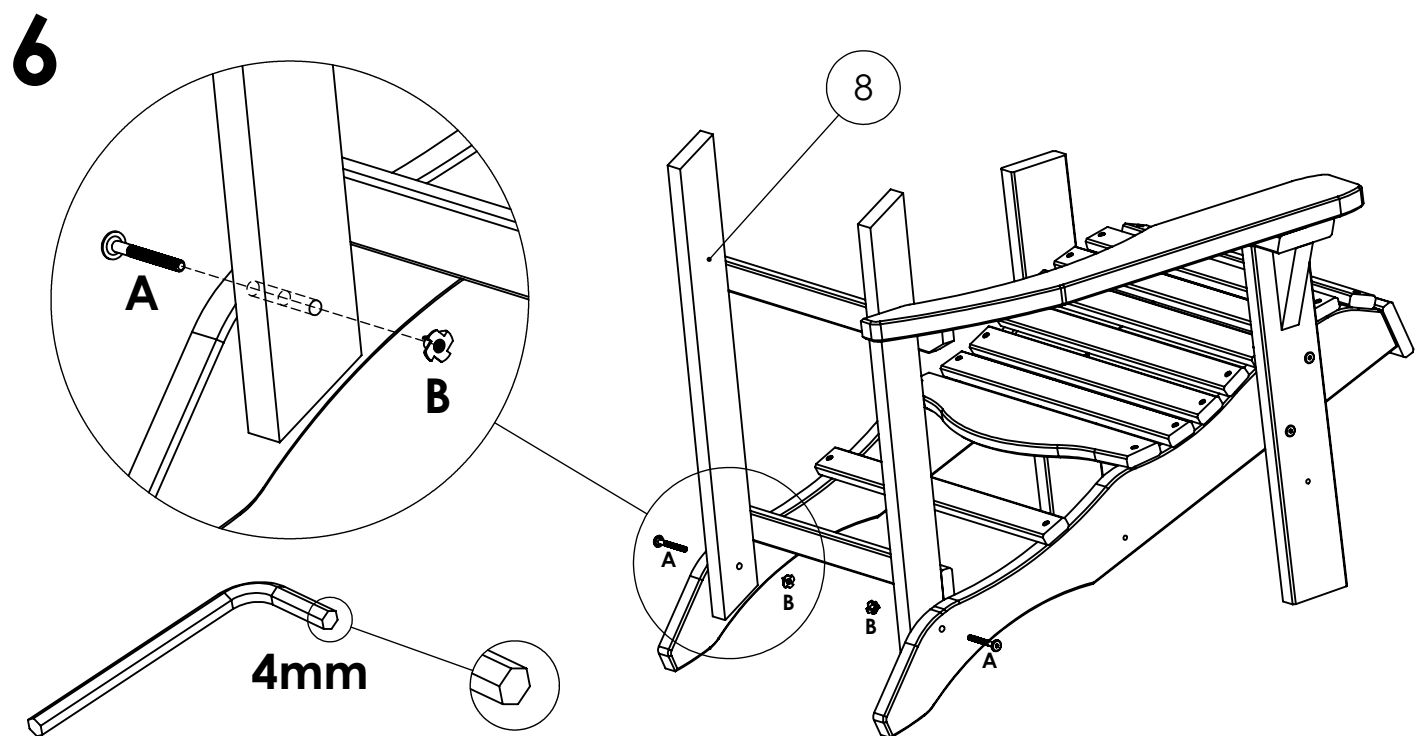
4



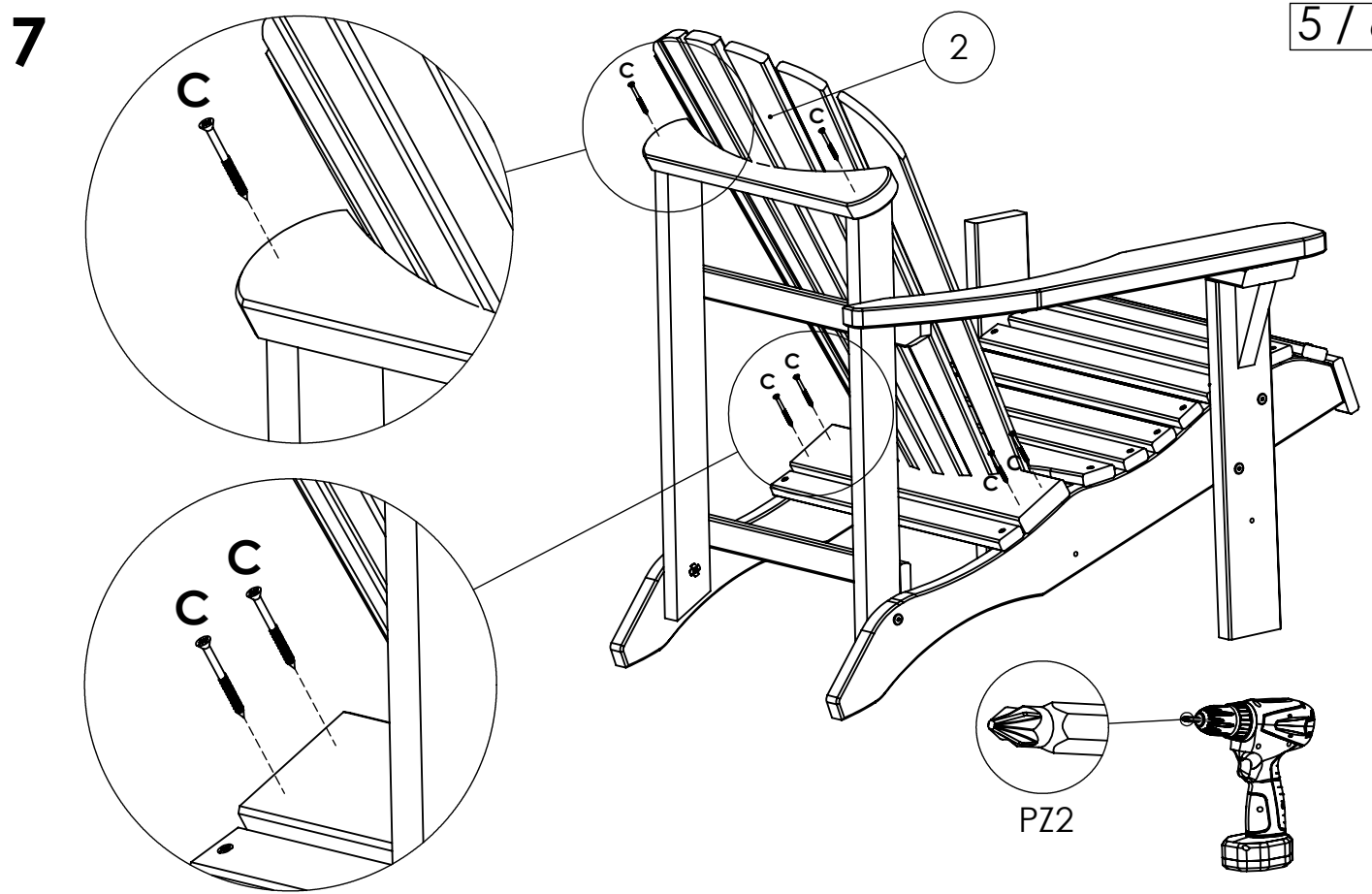
C		4x50	x1
----------	---	-------------	-----------

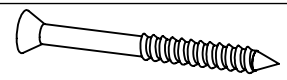


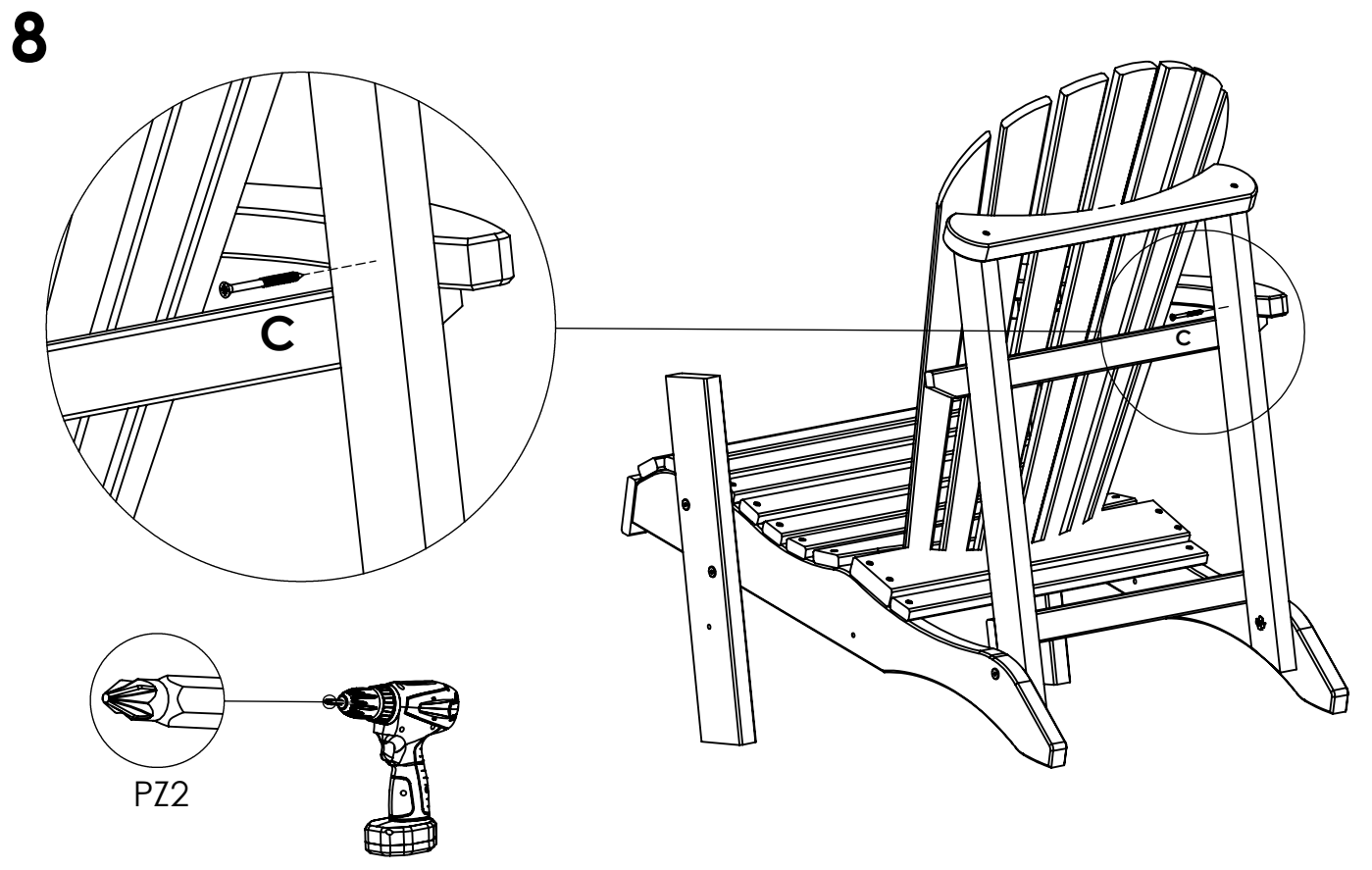
A		M6x60	x4
B		M6	x4

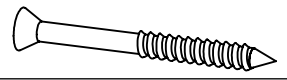


A		M6x60	x2
B		M6	x2

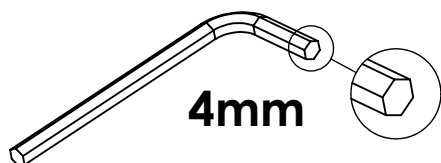
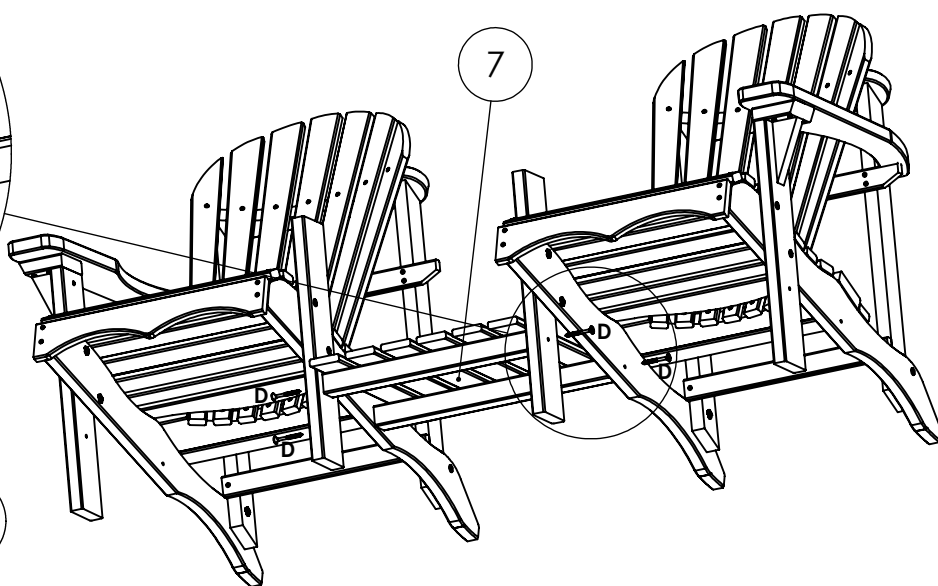
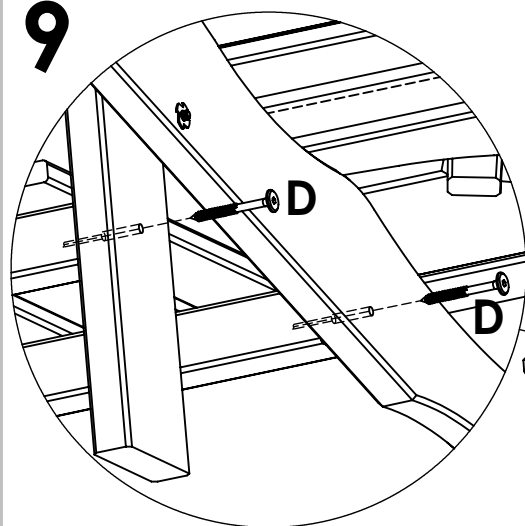


C		4x50	x6
----------	--	-------------	-----------



C		4x50	x1
----------	---	-------------	-----------

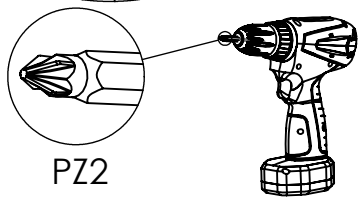
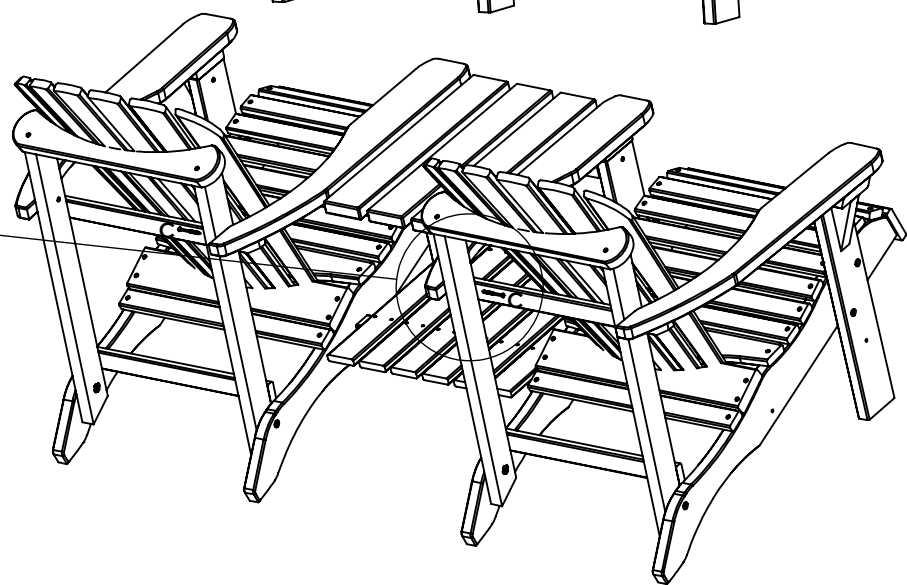
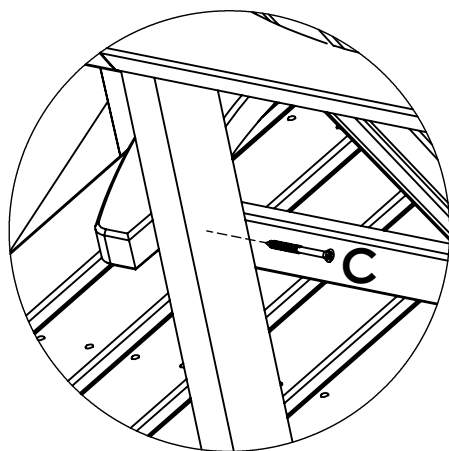
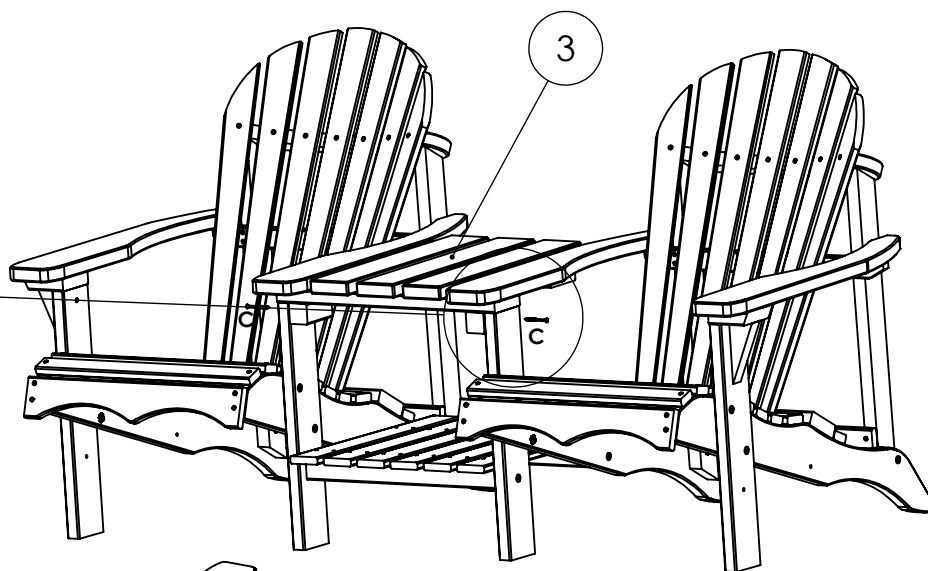
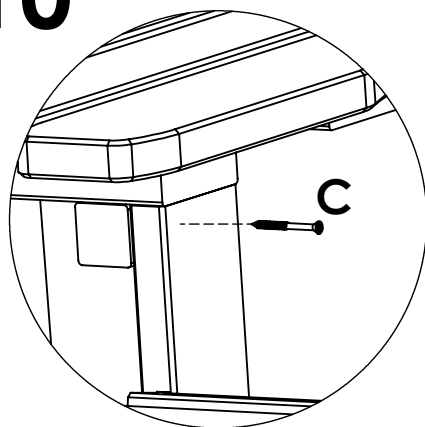
9



4mm

D		6x60	x4
---	---	------	----

10



PZ2

C		4x50	x4
---	---	------	----